

G7S (C and L Series)

High Efficiency / Direct Vent
or Non Direct Vent Single Stage

Condensing Upflow/Horizontal and
Downflow Gas Furnaces

Induced Draft - 92.1 AFUE

Input 38,000 - 120,000 Btuh

The high efficiency upflow gas furnace may be installed free standing in a utility room, basement, or enclosed in an alcove or closet. Upflow/Horizontal units come ready for upflow or horizontal application. The extended flush jacket provides a pleasing “appliance appearance.” Design certified by CSA for application in Canada and the United States.



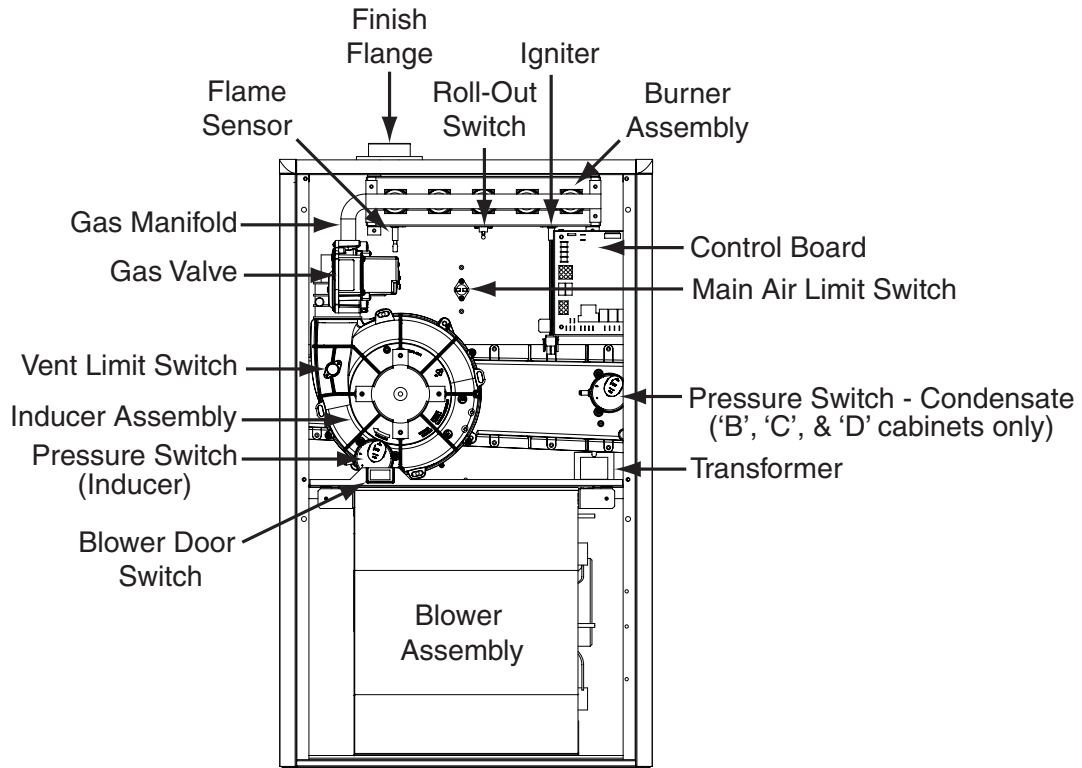
This furnace series is approved and certified by the SCAQM and the SJVAPC Districts in the state of California under each Districts' Mitigation Fee Plan for shipment into and sales in both districts.

For California installations in SCAQMD only: This furnace does not meet the SCAQMD Rule 1111 NOx emission limit (14 ng/J), and thus is subject to a mitigation fee of up to \$450. This furnace is not eligible for the Clean Air Furnace Rebate Program:
www.CleanAirFurnaceRebate.com.

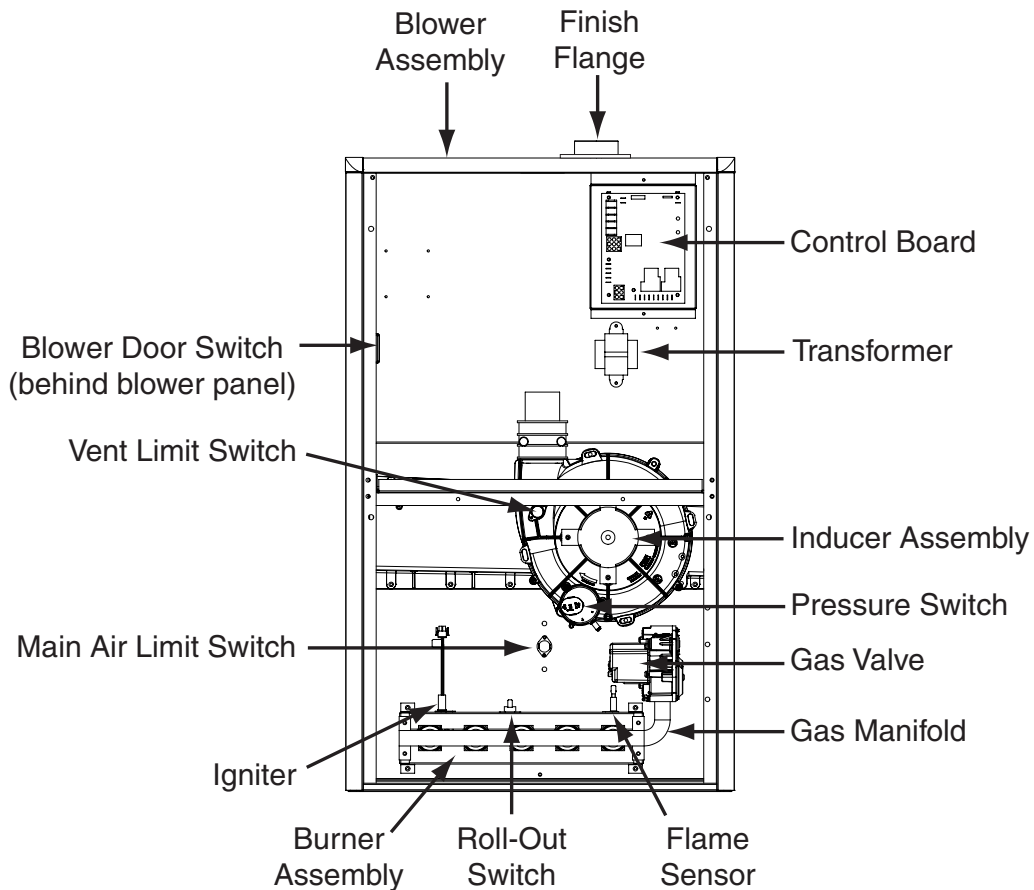
FEATURES and BENEFITS

- **100% fired and tested** — All units and each component are tested on the manufacturing line.
- **Best packaging in the industry** — Unique corner post design assures product will arrive to the homeowner dent free.
- **30 second blower delay** at start-up assures a warm duct temperature at furnace start-up. Adjustable blower off settings (60, 90, 120 and 180 seconds).
- **30 second post purge** increases life of heat exchanger.
- **Hot surface igniter** — Innovative application of an appliance type igniter with a 20 year history of reliability. Utilizes proven Smartlite[®] technology.
- **Color coded wire harness** — Designed to fit the components, all with quick-connect fittings for ease of service and replacement.
- **Flexible category IV venting system** — May be vertically or horizontally vented using either a one-pipe or two-pipe system for maximum flexibility in installation.
- **High Static Blowers** — All models equipped with high static blowers.
- **Low Boy Height** — Easy to apply in low ceiling applications, works well with taller high SEER coils, easier to handle and install.
- **Tubular primary heat exchanger** — Heavy gauge aluminized steel heat exchanger and stainless steel secondary heat exchanger assures a long life.
- **90 second fixed cooling cycle blower-off delay (TDR)** increases cooling performance when matched with a Nortek Global HVAC coil.
- **Multi-speed direct drive blower** — Designed to give a wide range of cooling capacities. Switches on PCB, provide ultra easy motor speed selection.
- **LP convertible** — Simple burner orifice and regulator spring change for ease of convertibility.
- **Diagnostic lights for easy troubleshooting without counting flashes** — Dedicated light for flame signal strength and 2 lights in combination to indicate all other fault codes with easy to recognize states without counting flashes.
- **Incorporates integrated control board** with connections for electronic air cleaner and humidifier.
- **Two piece door design** enhances furnace appearance and uses captured screws to prevent losing door screws.
- **Seated vestibule** reduces burner and inducer sound levels.
- **Furnace Air Leakage:** These furnaces comply with Energy Star cabinet air leakage requirement of less than or equal to 2%. Keep the conditioned air flowing to where it's needed.
- **PolyPro by DuraVent:** These furnaces have been tested with and are approved to be installed with DuraVent's PolyPro venting system.

GAS FURNACE COMPONENTS



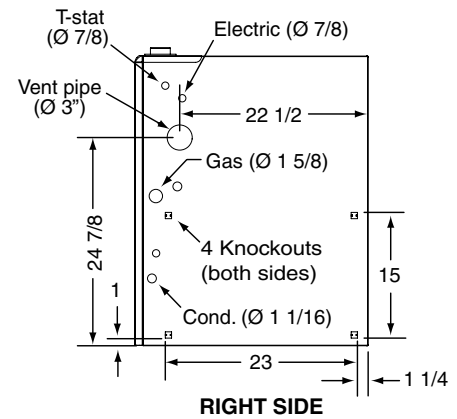
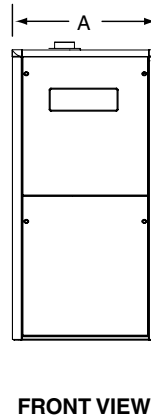
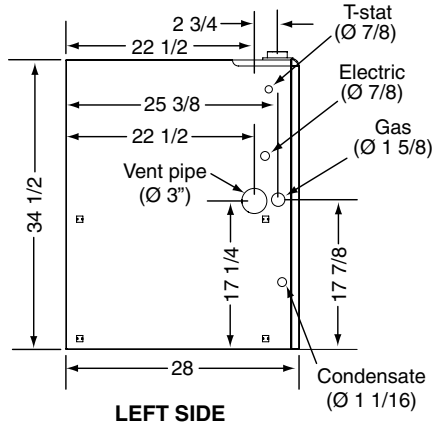
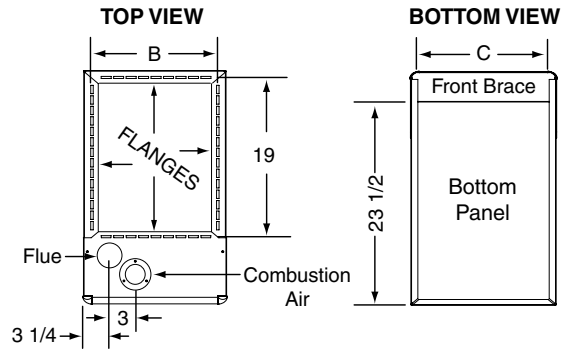
Upflow/Horizontal Gas Furnace



Downflow Gas Furnace

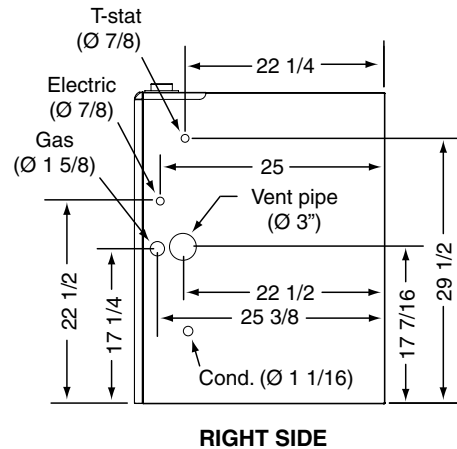
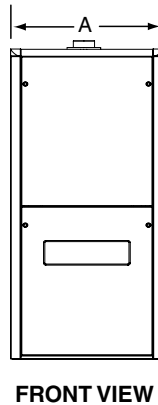
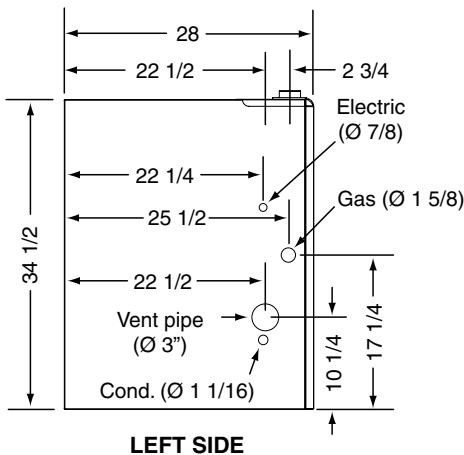
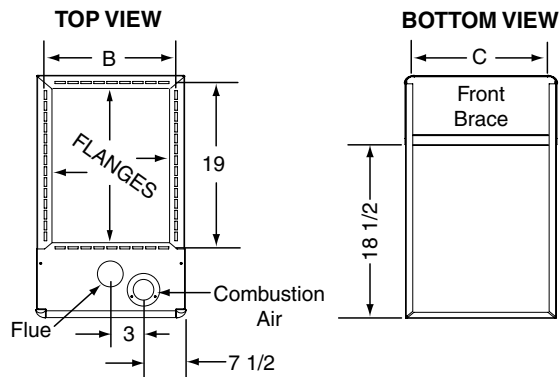
DIMENSIONS

*SC Model #'s	Dimension "A"	Dimension "B"	Dimension "C"
038D-T23A1	14 1/4	12 5/8	12 7/8
054D-T24B1	17 1/2	15 7/8	16 1/8
072D-T24B1			
072D-T35C1	21	19 3/8	19 5/8
090D-T35C1			
108D-T45D1	24 1/2	22 7/8	23 1/8
120D-T45D1			



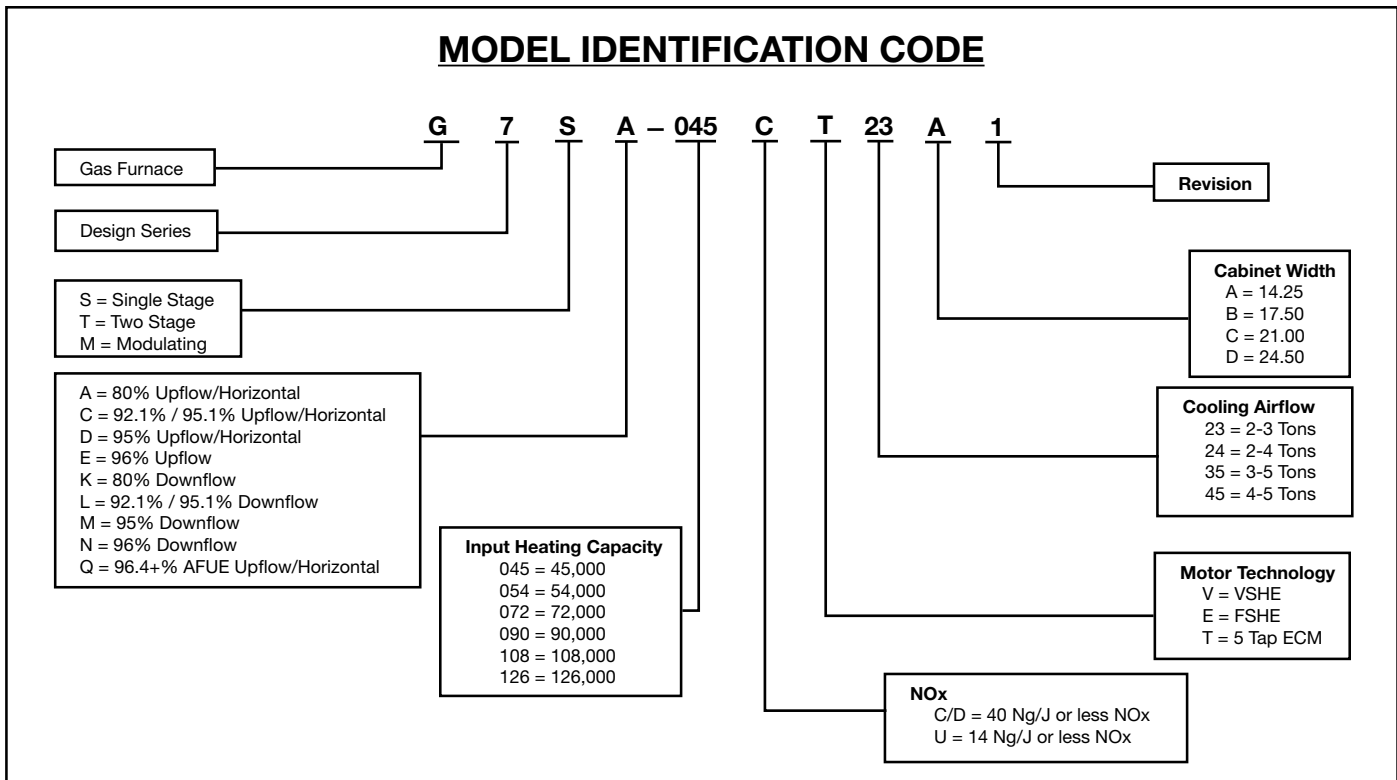
G7SC 90+ High Efficiency Upflow/Horizontal Series

SL Model #'s	Dimension "A"	Dimension "B"	Dimension "C"
SL-072DT24B1	17 1/2	15 7/8	16 1/8



G7SL 90+ High Efficiency Downflow Series

MODEL IDENTIFICATION CODE



SPECIFICATIONS

G7SC MODEL NUMBERS:	038D-T23A1	054D-T24B1	072D-T24B1	072D-T35C1	090D-T35C1	108D-T45D1	120D-T45D1
Input - Btuh (a)	38000	54000	72000	72000	90000	108000	120000
Heating Capacity - Btuh	35000	50000	66000	66000	83000	99000	110000
AFUE	92.0	92.0	92.0	92.0	92.0	92.0	92.0
Blower D x W	10 x 6	11 x 8	11 x 8	10 x 10	11 x 10	11 x 10	11 x 10
Motor H.P. - Speed - Type	1/2 - 5 - ECM	3/4 - 5 - ECM	3/4 - 5 - ECM	3/4 - 5 - ECM	1 - 5 - ECM	1 - 5 - ECM	1 - 5 - ECM
Motor FLA	6.4	8.8	8.8	8.8	11.5	11.5	11.5
Rated Ext. SP - In. W.C.	0.50	0.50	0.50	0.50	0.50	0.50	0.50
Temperature Rise Range - °F	25-55	30-60	35-65	35-65	35-65	40-70	40-70
Shipping Weights	100lbs	120lbs	125lbs	130lbs	135lbs	155lbs	155lbs

G7SL MODEL NUMBERS:	072D-T24B1
Input - Btuh (a)	72000
Heating Capacity - Btuh	66000
AFUE	92.0
Blower D x W	11 x 8
Motor H.P. - Speed - Type	3/4 - 5 - ecm
Motor FLA	9.3
Rated Ext. SP - In. W.C.	0.50
Temperature Rise Range - °F	35-65
Shipping Weights	125lbs

Note: All models are 115V, 60 Hz. Gas Connections are 1/2" N.P.T. AFUE = Annual Fuel Utilization Efficiency (a) Ratings to 2,000 ft. Over 2,000 ft. reduce 4% for each 1,000 ft. above sea level.

BLOWER PERFORMANCE - G7SL

Model Number	Heating Input (Btuh)	Motor Speed	External Static Pressure (Inches Water Column)															
			0.1		0.2		0.3		0.4		0.5		0.6		0.7		0.8	
			CFM	Rise	CFM	Rise	CFM	Rise	CFM	Rise	CFM	Rise	CFM	Rise	CFM	Rise	CFM	Rise
SL-072DT24B1	72,000	High*	1560	39	1530	40	1500	41	1480	41	1435	43	1400	44	1360	45	1310	47
		Med-High	1245	49	1225	50	1205	51	1180	52	1150	53	1125	55	1090	56	1045	59
		Med-Low**	1085	57	1070	57	1045	59	1025	60	1000	61	970	63	930	66	880	70
		Low	850	72	830	74	800	77	780	79	760	81	730	84	710	86	685	90

* Factory Set Cooling Speed
 ** Factory Set Heating Speed

NOTE: 1. 2 openings are recommended for airflows above 1600 CFM if filter(s) is (are) adjacent to furnace.
 2. Temperature rises in the table are approximate. Actual temperature rises may vary.
 3. Temperature rises shaded grey are for reference only. These conditions are not recommended.

VENTING

All models are approved for vertical non direct (1 pipe) and direct (2 pipe) venting applications. See Vent Table below for specified sizes and allowable lengths.

VENT TABLE

MODELS	SINGLE PIPE LENGTH (FT.) with 1 long radius elbow*		DIRECT VENT, DUEL PIPE LENGTH (ft.) WITH 1 long radius elbow on each pipe*	
	OUTLET	OUTLET	INLET/OUTLET	INLET/OUTLET
	2"	3"	2"	3"
SC038	50	70	50	70
SC054	70	90	70	90
SC072	50	90	50	90
SC090	60	90	60	90
SC108	N/A	90	N/A	90
SC120	N/A	90	N/A	90
SL054	70	90	70	90
SL072	50	90	50	90
SL090	60	90	60	90
SL120	N/A	90	N/A	90

* NOTE:

1. Subtract 2.5 ft. for each additional 2" elbow and 3.5 ft. for each additional 3" elbow.
2. Two 45 degree elbows are equivalent to one 90 degree elbow.
3. One short radius elbow is equivalent to two long radius elbows.
4. Do not include termination elbows in calculation of vent length.
5. This table is applicable for elevations from sea level to 2000 ft. For higher elevations decrease vent pipe lengths by 8% per 1000 ft. of altitude.
6. Only the listed pipe materials are approved for use with KG7 Condensing Furnaces.

ACCESSORIES

G7S (C, L) KITS	
Description	SKU
2" Concentric vent kit, Canadian and US approved	904952
3" Concentric vent kit, Canadian and US approved	904953
"A" Cabinet downflow sub base kit	902974
"B", "C", "D" Cabinet downflow sub base kit	904911
2" Side wall vent kit	904617
3" Side wall vent kit	904347
U.S. LP Conversion kit (0 to 10,000 ft.)	905028
Canada LP Conversion kit (0 to 4,500 ft.)	905029
Bottom return filter 20 per box, "A" cabinet	903088
Bottom return filter 20 per box, "B" cabinet	904916
Bottom return filter 20 per box, "C" cabinet	904917
Bottom return filter 20 per box, "D" cabinet	904918
Side return filter kit	541036
Neutralizer kit	902377
Furnace Twinning Kit	1010035



GENERAL TERMS OF LIMITED WARRANTY

Nortek Global HVAC, LLC will furnish a replacement for any part of this product which fails in normal use and service within the terms and conditions of the warranty.

For complete details of the Limited Warranty, including applicable terms and conditions, see your local installer or contact the Nortek Global HVAC, LLC warranty department for a copy.

Before purchasing this appliance, read important energy cost and efficiency information available from your retailer. Specifications and illustrations subject to change without notice and without incurring obligations. Printed in U.S.A (04/2020)