

TECHNICAL SPECIFICATIONS

T6BQ Series

Split System 2-Stage Heat Pump 11.0 EER 12.7 IEER Commercial System 7½ and 10 Ton Capacity

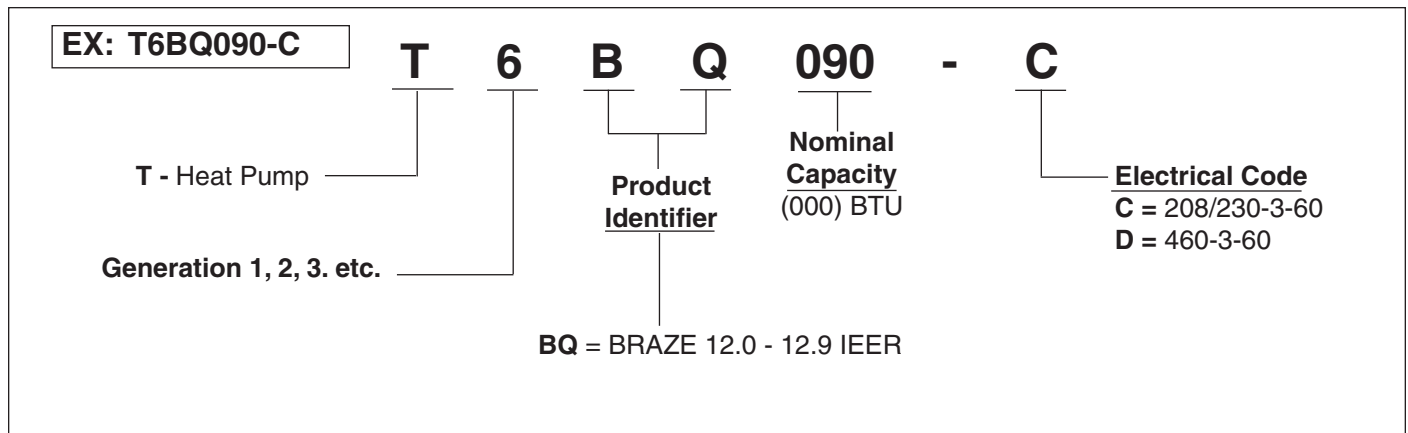
The T6BQ Series of 2-stage heat pumps offers exceptional performance. The unit, when combined with our air handlers, offers a line of quality, split system heat Pump equipment. The T6BQ is rated at 11.0 EER and 3.3 COP when matched with our air handler. Units are ideally sized for slab or rooftop mounting in light commercial applications.



FEATURES and BENEFITS

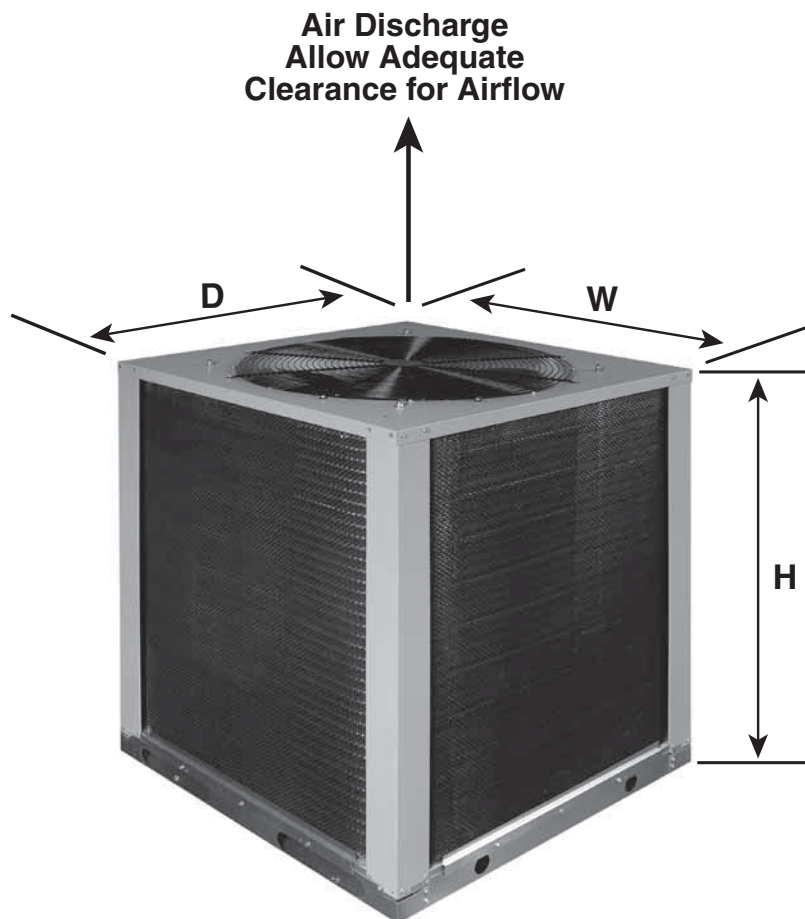
- **Quality Compressor:** State of the art scroll compressor is standard equipment providing Ultra Tech two stage operation.
- **Auto-Reset Hi/Low Pressure Switches:** Ensure long compressor life.
- **Durable, Attractive Cabinet:** Designed using galvanized steel with a polyester urethane finish. The 950 hour salt spray finish is 1.5 mil thick and resists corrosion 50% better than comparable units.
- **Copper Tube / Aluminum Fin Coils:** Outdoor coils are designed to optimize heat transfer, minimize size and cost, and increase durability and reliability.
- **Permanently Lubricated Motor:** A heavy duty PSC motor for long lasting reliability and quiet operation. Requires no maintenance and is completely protected from rain and snow.
- **Full Service Valves:** These brass valves are easily accessible and simplify servicing of the refrigeration system.
- **Plastic Mesh Hail Guard:** A guard that will never rust and protects the units coil from being damaged.
- **Removable Top Grille Assembly:** Allows ease of service to the fan motor.
- **Raised Base:** The sturdy base keeps the bottom of the coil out of harms way and allows water from rain or defrost to flow away from the unit.
- **Five Minute Restart Time Delay:** When the unit shuts down, a five minute delay keeps the unit from restarting, eliminating the highest cause for compressor failure.
- **Easy Compressor and Control Access:** Designed to make servicing easier for the contractor, access panels are provided to all controls and the compressor from the side of the unit.
- **Time/Temperature Defrost:** A reliable, industry standard control offers various time settings to meet any type climate.
- **Suction Accumulator:** Protection from liquid flood back and future compressor failures.
- **90 VA Transformer:** Includes 4 Amp circuit breaker to protect low voltage circuit.
- **Liquid Line Filter Drier:** Field installed for convenience.
- **Crankcase Heater:** Prevents damaging flooded starts and future compressor failures.

MODEL IDENTIFICATION CODES



DIMENSIONS (Inches) HEAT PUMP OUTDOOR SECTION

| Model Number T6BQ | Unit Weights (Lbs.) | | Height -H- | Width -W- | Depth -D- | Shipping Height |
|----------------------|---------------------|-----------------|------------|-----------|-----------|-----------------|
| | Without Packaging | Shipping Weight | | | | |
| 090-C | 374 | 384 | 44 1/4 | 37 1/2 | 37 1/2 | 50 |
| 090-D | 374 | 384 | 44 1/4 | 37 1/2 | 37 1/2 | 50 |
| 120-C | 390 | 410 | 52 1/4 | 37 1/2 | 37 1/2 | 58 |
| 120-D | 390 | 410 | 52 1/4 | 37 1/2 | 37 1/2 | 58 |



PHYSICAL AND ELECTRICAL SPECIFICATIONS / OUTDOOR UNITS

High Efficiency — Three Phase

| Model Number T6BQ | 090-C | 090-D | 120-C | 120-D |
|---|--------------------------------------|--------------------------------------|-------------------------------------|-------------------------------------|
| PERFORMANCE DATA | | | | |
| Gross Cooling Capacity (95°F) Btuh | 92,400 | 92,400 | 121,200 | 121,200 |
| ¹ Net Cooling Capacity - Btuh | 90,000 | 90,000 | 116,500 | 116,500 |
| ¹ A.H.R.I. Rated Airflow - C.F.M. | 3,000 | 3,000 | 4,000 | 4,000 |
| ² Cooling - Efficiency E.E.R. (Btu/Watt) | 11.00 | 11.00 | 11.00 | 11.00 |
| ³ Cooling - Efficiency I.E.E.R. | 12.70 | 12.70 | 12.70 | 12.70 |
| Gross Heating Capacity (47°F) - Btuh | 86,500 | 86,500 | 110,000 | 110,000 |
| ⁴ Heating - Efficiency - C.O.P. | 3.30 | 3.30 | 3.30 | 3.30 |
| Gross Heating Capacity (17°F) - Btuh | 54,000 | 54,000 | 70,000 | 70,000 |
| ⁴ Heating - Efficiency - C.O.P. | 2.40 | 2.40 | 2.40 | 2.40 |
| ELECTRICAL RATINGS | | | | |
| Volts / Phase / Hz. | 208-230 / 3 / 60 | 460 / 3 / 60 | 208-230 / 3 / 60 | 460 / 3 / 60 |
| Unit Rated Ampacity | 30.2 | 13.7 | 35.9 | 16.5 |
| Minimum Circuit Ampacity (MCA) | 36.9 | 16.7 | 44.1 | 20.2 |
| ⁵ Max. Overcurrent Protection (MOP) | 60 | 25 | 70 | 35 |
| Compressor Data: | 1 ea. | 1 ea. | 1 ea. | 1 ea. |
| Stages - Percent | 2-100 / 67 | 2-100 / 67 | 2-100 / 67 | 2-100 / 67 |
| Outdoor Fan Assembly: | 1 ea. | 1 ea. | 1 ea. | 1 ea. |
| Volts / Phase / Hz. | 208-230 / 1 / 60 | 460 / 1 / 60 | 208-230 / 1 / 60 | 460 / 1 / 60 |
| Motor - HP | 3/4 | 3/4 | 3/4 | 3/4 |
| PHYSICAL DATA & REFRIGERANT SPECS | | | | |
| Refrigerant Suction Line - Length / OD | 0 - 75 Ft. / 1-1/8" | 0 - 75 Ft. / 1-1/8" | 0 - 100 Ft. / 1-3/8" ⁽⁷⁾ | 0 - 100 Ft. / 1-3/8" ⁽⁷⁾ |
| | 76 - 100 Ft. / 1-3/8" ⁽⁷⁾ | 76 - 100 Ft. / 1-3/8" ⁽⁷⁾ | | |
| Refrigerant Liquid Line - Length / OD | All Lengths - 5/8" OD | All Lengths - 5/8" OD | All Lengths - 5/8" OD | All Lengths - 5/8" OD |
| Refrigerant Charge | R410A | R410A | R410A | R410A |
| Holding Charge - (oz.) | 90 | 90 | 90 | 90 |
| ⁶ Total System with 25' Line Set | 464 | 464 | 512 | 512 |

NOTE: Net capacity includes indoor blower motor heat deduction. Gross capacity does not include indoor blower motor heat deduction.

¹ Certified in accordance w/ A.H.R.I. Standard 340/360 at 95° F Outdoor DB and 80° F db/67° F wb evaporator entering air at minimum external duct static pressures allowed by the standard.

² E.E.R. - Energy Efficiency Ratio. E.E.R. is determined @ 95°F Outdoor DB & 80°F DB / 67°F WB Air Indoor

³ I.E.E.R. - Integrated Energy Efficiency Ratio. Certified in accordance with A.H.R.I. Standard 340/360.

⁴ C.O.P. - Coefficient of Performance.

⁵ Delay Fuse or HACR Type Circuit Breakers can be used.

⁶ Add / Subtract 9.0 oz. of refrigerant per 5 Ft. change in length from original 25 Ft. lineset total system charge.

⁷ Requires a 1-3/8" to 1-1/8" reducer line to unit.

High Efficiency — Three Phase

| Outdoor Unit Model Number | Indoor Unit Model Number | COOLING | | HEATING | | SCFM | AHRI Reference Number |
|---------------------------|--------------------------|---------|------|---------|-----|------|-----------------------|
| | | BTUH | IEER | BTUH | COP | | |
| T6BQ090-C | B6TM090-C | 90000 | 12.7 | 86,500 | 3.3 | 3000 | |
| T6BQ090-D | B6TM090-D | 90000 | 12.7 | 86,500 | 3.3 | 3000 | |
| T6BQ120-C | B6TM120-C | 116,500 | 12.7 | 110,000 | 3.3 | 4000 | |
| T6BQ120-D | B6TM120-D | 116,500 | 12.7 | 110,000 | 3.3 | 4000 | |

See current ARI Directory for certified combinations and ratings.

COOLING EXPANDED RATINGS WITH T6BQ

T6BQ090-* with B6TM090-*

T6BQ-090 (C/D) (High Speed Compressor / Blower Operation)

| O.D.T | | | 55°F | | | 65°F | | | 75°F | | | 85°F | | |
|-------|--------|--------|-------|------|------|-------|------|------|------|------|------|------|-------|-------|
| CFM | E.D.B. | E.W.B. | T.C. | S.C. | kW | T.C. | S.C. | kW | T.C. | S.C. | kW | T.C. | S.C. | kW |
| 2750 | 75 | 62 | 84.8 | 61.4 | 7.36 | 80.4 | 60.5 | 7.97 | 75.3 | 58.9 | 8.83 | 69.5 | 56.5 | 9.94 |
| | | 67 | 93.3 | 50.0 | 7.30 | 88.9 | 49.1 | 7.91 | 83.8 | 47.5 | 8.77 | 78.0 | 45.2 | 9.88 |
| | | 72 | 102.0 | 35.3 | 7.42 | 97.4 | 34.4 | 8.03 | 92.2 | 32.8 | 8.89 | 86.4 | 30.4 | 10.00 |
| | 80 | 62 | 85.2 | 75.8 | 7.37 | 80.4 | 74.8 | 8.06 | 74.8 | 73.1 | 9.00 | 68.6 | 68.6* | 10.20 |
| | | 67 | 93.7 | 64.4 | 7.32 | 88.9 | 63.4 | 8.01 | 83.3 | 61.7 | 8.94 | 77.0 | 59.3 | 10.10 |
| | | 72 | 102.0 | 49.7 | 7.44 | 97.3 | 48.7 | 8.12 | 91.7 | 47.0 | 9.06 | 85.5 | 44.6 | 10.20 |
| 3000 | 75 | 62 | 85.3 | 67.7 | 7.52 | 80.8 | 66.4 | 8.12 | 75.6 | 64.5 | 8.97 | 69.6 | 61.8 | 10.10 |
| | | 67 | 93.8 | 56.3 | 7.47 | 89.3 | 55.0 | 8.07 | 84.1 | 53.1 | 8.92 | 78.1 | 50.4 | 10.00 |
| | | 72 | 102.0 | 41.6 | 7.59 | 97.7 | 40.3 | 8.19 | 92.5 | 38.4 | 9.04 | 86.5 | 35.7 | 10.10 |
| | 80 | 62 | 86.8 | 76.9 | 7.50 | 81.9 | 75.6 | 8.17 | 76.2 | 73.6 | 9.10 | 69.8 | 69.8* | 10.30 |
| | | 67 | 95.3 | 65.5 | 7.44 | 90.2 | 64.2 | 8.12 | 84.7 | 62.2 | 9.05 | 78.3 | 59.4 | 10.20 |
| | | 72 | 104.0 | 50.8 | 7.56 | 98.8 | 49.5 | 8.24 | 93.1 | 47.4 | 9.17 | 86.7 | 44.7 | 10.30 |
| 3250 | 75 | 62 | 86.9 | 76.6 | 7.84 | 82.3 | 75.1 | 8.43 | 77.0 | 72.8 | 9.27 | 71.0 | 69.8 | 10.40 |
| | | 67 | 95.4 | 65.2 | 7.78 | 90.8 | 63.7 | 8.37 | 85.5 | 61.4 | 9.21 | 79.4 | 58.5 | 10.30 |
| | | 72 | 104.0 | 50.5 | 7.90 | 99.3 | 49.0 | 8.49 | 93.9 | 46.7 | 9.33 | 87.9 | 43.7 | 10.40 |
| | 80 | 62 | 89.5 | 80.7 | 7.77 | 84.5 | 79.1 | 8.44 | 78.8 | 76.7 | 9.36 | 72.3 | 72.3* | 10.50 |
| | | 67 | 98.0 | 69.3 | 7.72 | 93.0 | 67.7 | 8.39 | 87.2 | 65.3 | 9.31 | 80.8 | 62.3 | 10.50 |
| | | 72 | 106.0 | 54.6 | 7.84 | 101.0 | 53.0 | 8.51 | 95.7 | 50.6 | 9.43 | 89.2 | 47.5 | 10.60 |

T6BQ-090 (C/D) (Low Speed Compressor / Blower Operation)

| O.D.T | | | 55°F | | | 65°F | | | 75°F | | | 85°F | | |
|-------|--------|--------|------|------|------|-------|------|------|-------|------|------|------|------|------|
| CFM | E.D.B. | E.W.B. | T.C. | S.C. | kW | T.C. | S.C. | kW | T.C. | S.C. | kW | T.C. | S.C. | kW |
| 1800 | 75 | 62 | 76.6 | 32.9 | 3.20 | 99.2 | 50.0 | 3.87 | 105.0 | 55.3 | 4.48 | 93.8 | 48.8 | 5.00 |
| | | 67 | 46.4 | 19.4 | 2.97 | 68.5 | 36.3 | 3.63 | 73.8 | 41.4 | 4.21 | 62.2 | 34.8 | 4.72 |
| | | 72 | 55.5 | 12.6 | 3.08 | 77.1 | 29.3 | 3.72 | 82.0 | 34.3 | 4.29 | 70.0 | 27.6 | 4.77 |
| | 80 | 62 | 77.4 | 43.8 | 3.62 | 99.6 | 59.6 | 4.24 | 105.0 | 63.6 | 4.79 | 93.6 | 55.9 | 5.26 |
| | | 67 | 47.3 | 29.9 | 3.15 | 69.0 | 45.5 | 3.75 | 74.0 | 49.4 | 4.28 | 62.0 | 41.6 | 4.73 |
| | | 72 | 56.4 | 22.7 | 3.00 | 77.7 | 38.2 | 3.59 | 82.2 | 41.9 | 4.10 | 69.9 | 33.9 | 4.54 |
| 2000 | 75 | 62 | 77.0 | 34.5 | 3.24 | 99.6 | 51.7 | 3.94 | 105.0 | 57.1 | 4.57 | 94.3 | 50.7 | 5.12 |
| | | 67 | 46.8 | 21.0 | 3.01 | 68.9 | 38.0 | 3.70 | 74.2 | 43.3 | 4.31 | 62.7 | 36.8 | 4.85 |
| | | 72 | 55.9 | 14.1 | 3.12 | 77.6 | 31.0 | 3.79 | 82.4 | 36.1 | 4.38 | 70.4 | 29.5 | 4.90 |
| | 80 | 62 | 77.8 | 45.4 | 3.67 | 100.0 | 61.3 | 4.32 | 105.0 | 65.4 | 4.89 | 94.1 | 57.9 | 5.38 |
| | | 67 | 47.7 | 31.5 | 3.19 | 69.5 | 47.2 | 3.82 | 74.4 | 51.3 | 4.38 | 62.5 | 43.5 | 4.85 |
| | | 72 | 56.9 | 24.3 | 3.05 | 78.2 | 39.9 | 3.66 | 82.7 | 43.8 | 4.20 | 70.4 | 35.9 | 4.66 |
| 2200 | 75 | 62 | 79.7 | 36.9 | 3.07 | 102.0 | 54.2 | 3.80 | 108.0 | 59.8 | 4.46 | 97.0 | 53.6 | 5.04 |
| | | 67 | 49.5 | 23.4 | 2.85 | 71.7 | 40.6 | 3.56 | 77.0 | 46.0 | 4.20 | 65.5 | 39.6 | 4.76 |
| | | 72 | 58.6 | 16.6 | 2.95 | 80.3 | 33.6 | 3.65 | 85.2 | 38.8 | 4.27 | 73.2 | 32.4 | 4.81 |
| | 80 | 62 | 80.5 | 47.8 | 3.50 | 103.0 | 63.9 | 4.17 | 108.0 | 68.2 | 4.77 | 96.8 | 60.7 | 5.30 |
| | | 67 | 50.4 | 33.9 | 3.02 | 72.2 | 49.8 | 3.68 | 77.2 | 54.0 | 4.26 | 65.3 | 46.4 | 4.77 |
| | | 72 | 59.6 | 26.7 | 2.88 | 80.9 | 42.5 | 3.52 | 85.4 | 46.5 | 4.08 | 73.1 | 38.7 | 4.57 |

T6BQ-120(C/D/N) (High Speed Compressor / High Speed Blower Operation)

| O.D.T | | | 85°F | | | 95°F | | | 105°F | | | 115°F | | |
|-------|--------|--------|-------|-------|-------|-------|-------|-------|-------|-------|-------|-------|-------|-------|
| CFM | E.D.B. | E.W.B. | T.C. | S.C. | kW | T.C. | S.C. | kW | T.C. | S.C. | kW | T.C. | S.C. | kW |
| 3750 | 75 | 62 | 111.0 | 86.0 | 9.41 | 105.0 | 82.7 | 10.30 | 97.6 | 79.5 | 11.40 | 88.9 | 76.6 | 12.70 |
| | | 67 | 125.0 | 68.5 | 9.60 | 119.0 | 65.1 | 10.50 | 111.0 | 62.0 | 11.50 | 103.0 | 59.0 | 12.90 |
| | | 72 | 140.0 | 48.1 | 9.81 | 134.0 | 44.8 | 10.70 | 126.0 | 41.7 | 11.80 | 118.0 | 38.7 | 13.10 |
| | 80 | 62 | 109.0 | 104.0 | 9.39 | 103.0 | 100.0 | 10.20 | 96.5 | 96.5* | 11.30 | 88.4 | 88.4* | 12.50 |
| | | 67 | 122.0 | 86.2 | 9.58 | 117.0 | 82.9 | 10.40 | 110.0 | 79.8 | 11.50 | 102.0 | 76.8 | 12.70 |
| | | 72 | 137.0 | 65.9 | 9.79 | 132.0 | 62.6 | 10.60 | 125.0 | 59.4 | 11.70 | 117.0 | 56.5 | 12.90 |
| 4000 | 75 | 62 | 113.0 | 88.1 | 9.47 | 106.0 | 85.0 | 10.30 | 98.6 | 82.1 | 11.40 | 89.6 | 79.3 | 12.70 |
| | | 67 | 126.0 | 70.6 | 9.66 | 120.0 | 67.5 | 10.50 | 112.0 | 64.5 | 11.60 | 103.0 | 61.8 | 12.90 |
| | | 72 | 141.0 | 50.2 | 9.87 | 135.0 | 47.1 | 10.70 | 127.0 | 44.2 | 11.80 | 118.0 | 41.5 | 13.10 |
| | 80 | 62 | 110.0 | 107.0 | 9.48 | 104.0 | 104.0 | 10.30 | 96.9 | 96.9* | 11.40 | 88.5 | 88.5* | 12.60 |
| | | 67 | 124.0 | 89.2 | 9.67 | 117.0 | 86.1 | 10.60 | 111.0 | 83.2 | 11.60 | 102.0 | 80.5 | 12.80 |
| | | 72 | 139.0 | 68.9 | 9.88 | 133.0 | 65.8 | 10.70 | 126.0 | 62.9 | 11.80 | 117.0 | 60.1 | 13.00 |
| 4250 | 75 | 62 | 114.0 | 89.5 | 9.63 | 107.0 | 86.6 | 10.50 | 99.2 | 83.9 | 11.60 | 89.9 | 81.4 | 12.90 |
| | | 67 | 128.0 | 72.0 | 9.82 | 121.0 | 69.1 | 10.70 | 113.0 | 66.4 | 11.80 | 104.0 | 63.8 | 13.10 |
| | | 72 | 143.0 | 51.6 | 10.00 | 136.0 | 48.7 | 10.90 | 128.0 | 46.0 | 12.00 | 119.0 | 43.5 | 13.30 |
| | 80 | 62 | 111.0 | 109.0 | 9.67 | 105.0 | 105* | 10.50 | 97.1 | 97.1* | 11.60 | 88.4 | 88.4* | 12.80 |
| | | 67 | 124.0 | 91.5 | 9.86 | 118.0 | 88.6 | 10.70 | 111.0 | 85.9 | 11.70 | 102.0 | 83.4 | 13.00 |
| | | 72 | 139.0 | 71.2 | 10.10 | 133.0 | 68.3 | 10.90 | 126.0 | 65.6 | 12.00 | 117.0 | 63.1 | 13.20 |

Notes:

- 1) T.C.= Total (Net) Cooling Capacity (Kbtu), S.C.= Sensible Cooling Capacity (Kbtu), kW = Kilowatts
- 2) Expanded Ratings are based on 230 Volt - 60 Hz operation
- 3) Expanded Ratings are based on Factory Standard Blower Drive
- 4) Bolded Values indicate ARI rating point
- 5) Energy Efficiency Ratio (EER) = T.C. / kW

COOLING EXPANDED RATINGS WITH T6BQ (Continued)

T6BQ090-* with B6TM090-*

T6BQ-120(C/D/N) (Low Speed Compressor / Low Speed Blower Operation)

| O.D.T | | | 55°F | | | 65°F | | | 75°F | | | 85°F | | |
|-------|--------|--------|-------|------|------|-------|------|------|-------|------|------|------|------|------|
| CFM | E.D.B. | E.W.B. | T.C. | S.C. | kW | T.C. | S.C. | kW | T.C. | S.C. | kW | T.C. | S.C. | kW |
| 2450 | 75 | 62 | 104 | 44.5 | 4.12 | 101 | 42.5 | 4.6 | 97.6 | 40.6 | 5.19 | 94.1 | 38.6 | 5.9 |
| | | 67 | 96.2 | 51.5 | 4.20 | 92.8 | 50.0 | 4.66 | 89.2 | 48.4 | 5.24 | 85.2 | 46.8 | 5.93 |
| | | 72 | 105.0 | 42.6 | 4.19 | 101.0 | 41.5 | 4.63 | 96.6 | 40.3 | 5.19 | 92.2 | 39.0 | 5.87 |
| | 80 | 62 | 100.0 | 59.7 | 4.11 | 97.4 | 57.9 | 4.60 | 94.3 | 55.9 | 5.20 | 90.9 | 54.0 | 5.91 |
| | | 67 | 94.4 | 62.8 | 4.19 | 91.2 | 61.3 | 4.66 | 87.6 | 59.8 | 5.25 | 83.7 | 58.2 | 5.95 |
| | | 72 | 105.0 | 50.0 | 4.18 | 101.0 | 48.8 | 4.63 | 96.8 | 47.7 | 5.20 | 92.4 | 46.5 | 5.89 |
| 2650 | 75 | 62 | 107.0 | 46.7 | 4.13 | 103.0 | 44.4 | 4.61 | 99.9 | 42.1 | 5.20 | 96.2 | 39.8 | 5.91 |
| | | 67 | 99.1 | 53.7 | 4.21 | 95.5 | 51.8 | 4.67 | 91.5 | 49.9 | 5.25 | 87.3 | 47.9 | 5.94 |
| | | 72 | 108.0 | 44.9 | 4.20 | 103.0 | 43.4 | 4.64 | 99.0 | 41.8 | 5.20 | 94.2 | 40.2 | 5.88 |
| | 80 | 62 | 103.0 | 62.0 | 4.12 | 100.0 | 59.8 | 4.61 | 96.6 | 57.5 | 5.21 | 92.9 | 55.2 | 5.92 |
| | | 67 | 97.4 | 65.0 | 4.20 | 93.8 | 63.2 | 4.67 | 89.9 | 61.3 | 5.26 | 85.8 | 59.4 | 5.96 |
| | | 72 | 108.0 | 52.2 | 4.19 | 103.0 | 50.7 | 4.64 | 99.1 | 49.2 | 5.21 | 94.4 | 47.7 | 5.90 |
| 2750 | 75 | 62 | 107.0 | 50.1 | 4.18 | 104.0 | 47.5 | 4.66 | 100.0 | 44.8 | 5.25 | 96.0 | 42.1 | 5.96 |
| | | 67 | 99.8 | 57.1 | 4.26 | 95.9 | 54.9 | 4.72 | 91.7 | 52.6 | 5.30 | 87.1 | 50.3 | 5.99 |
| | | 72 | 108.0 | 48.3 | 4.25 | 104.0 | 46.4 | 4.69 | 99.1 | 44.5 | 5.25 | 94.1 | 42.5 | 5.93 |
| | 80 | 62 | 104.0 | 65.4 | 4.17 | 100.0 | 62.8 | 4.66 | 96.7 | 60.2 | 5.26 | 92.8 | 57.5 | 5.98 |
| | | 67 | 98.1 | 68.4 | 4.25 | 94.2 | 66.2 | 4.72 | 90.1 | 64.0 | 5.31 | 85.6 | 61.7 | 6.01 |
| | | 72 | 108.0 | 55.6 | 4.24 | 104.0 | 53.8 | 4.69 | 99.2 | 51.9 | 5.26 | 94.3 | 50.0 | 5.95 |

Notes:

- 1) T.C.= Total (Net) Cooling Capacity (Kbtu), S.C.= Sensible Cooling Capacity (Kbtu), kW = Kilowatts
- 2) Expanded Ratings are based on 230 Volt - 60 Hz operation
- 3) Expanded Ratings are based on Factory Standard Blower Drive
- 4) Bolded Values indicate ARI rating point
- 5) Energy Efficiency Ratio (EER) = T.C. / kW

HEATING EXPANDED RATINGS WITH T6BQ

T6BQ090-* High Speed

| CFM | Indoor T. Deg.F | OUTDOOR TEMPERATURE (Deg. F) | | | | | | | | | | | | | | | | | | | | | | | |
|------|--------------------|------------------------------|------|------|------|------|------|------|------|------|------|------|------|------|------|------|------|------|------|------|------|------|-------|------|------|
| | | 10 | | | 17 | | | 20 | | | 30 | | | 40 | | | 47 | | | 50 | | | 60 | | |
| | | MBH | COP | kW | MBH | COP | kW | MBH | COP | kW | MBH | COP | kW | MBH | COP | kW | MBH | COP | kW | MBH | COP | kW | MBH | COP | kW |
| 2800 | 60 | 48.0 | 2.57 | 5.48 | 55.5 | 2.80 | 5.81 | 58.7 | 2.89 | 5.95 | 69.4 | 3.17 | 6.43 | 80.1 | 3.40 | 6.90 | 87.6 | 3.55 | 7.24 | 90.9 | 3.61 | 7.38 | 101.6 | 3.79 | 7.86 |
| | 70 | 46.7 | 2.27 | 6.04 | 54.2 | 2.49 | 6.37 | 57.4 | 2.58 | 6.51 | 68.0 | 2.86 | 6.99 | 78.7 | 3.10 | 7.46 | 86.2 | 3.25 | 7.79 | 89.4 | 3.31 | 7.93 | 100.1 | 3.49 | 8.40 |
| | 80 | 46.3 | 2.05 | 6.63 | 53.7 | 2.26 | 6.98 | 56.8 | 2.34 | 7.12 | 67.3 | 2.59 | 7.62 | 77.7 | 2.81 | 8.11 | 85.1 | 2.95 | 8.46 | 88.2 | 3.01 | 8.60 | 98.7 | 3.18 | 9.10 |
| 3000 | 60 | 48.4 | 2.60 | 5.46 | 56.0 | 2.84 | 5.78 | 59.2 | 2.94 | 5.92 | 70.0 | 3.23 | 6.37 | 80.9 | 3.48 | 6.82 | 88.5 | 3.63 | 7.14 | 91.7 | 3.70 | 7.27 | 102.5 | 3.89 | 7.72 |
| | 70 | 47.2 | 2.30 | 6.01 | 54.7 | 2.54 | 6.32 | 57.9 | 2.63 | 6.45 | 68.7 | 2.92 | 6.90 | 79.4 | 3.17 | 7.35 | 86.9 | 3.33 | 7.66 | 90.1 | 3.39 | 7.79 | 100.9 | 3.59 | 8.24 |
| | 80 | 46.5 | 2.06 | 6.62 | 54.0 | 2.28 | 6.93 | 57.1 | 2.37 | 7.07 | 67.7 | 2.64 | 7.52 | 78.3 | 2.88 | 7.97 | 85.7 | 3.03 | 8.29 | 88.9 | 3.09 | 8.42 | 99.5 | 3.29 | 8.88 |
| 3200 | 60 | 48.2 | 2.59 | 5.46 | 55.9 | 2.84 | 5.77 | 59.2 | 2.94 | 5.90 | 70.3 | 3.25 | 6.35 | 81.4 | 3.51 | 6.79 | 89.1 | 3.68 | 7.11 | 92.4 | 3.74 | 7.24 | 103.5 | 3.95 | 7.69 |
| | 70 | 47.7 | 2.32 | 6.03 | 55.2 | 2.56 | 6.32 | 58.5 | 2.66 | 6.45 | 69.2 | 2.95 | 6.87 | 80.0 | 3.22 | 7.29 | 87.5 | 3.38 | 7.59 | 90.7 | 3.45 | 7.72 | 101.5 | 3.66 | 8.14 |
| | 80 | 46.9 | 2.08 | 6.61 | 54.4 | 2.31 | 6.91 | 57.6 | 2.40 | 7.04 | 68.2 | 2.68 | 7.46 | 78.9 | 2.94 | 7.88 | 86.3 | 3.10 | 8.17 | 89.5 | 3.16 | 8.30 | 100.2 | 3.37 | 8.72 |

T6BQ090-* Low Speed

| CFM | Indoor T. Deg.F | OUTDOOR TEMPERATURE (Deg. F) | | | | | | | | | | | | | | | | | | | | | | | |
|------|--------------------|------------------------------|------|------|------|------|------|------|------|------|------|------|------|------|------|------|------|------|------|------|------|------|------|------|------|
| | | 10 | | | 17 | | | 20 | | | 30 | | | 40 | | | 47 | | | 50 | | | 60 | | |
| | | MBH | COP | kW | MBH | COP | kW | MBH | COP | kW | MBH | COP | kW | MBH | COP | kW | MBH | COP | kW | MBH | COP | kW | MBH | COP | kW |
| 1800 | 60 | 28.0 | 1.88 | 4.35 | 33.5 | 2.20 | 4.46 | 35.9 | 2.33 | 4.51 | 43.8 | 2.75 | 4.66 | 51.7 | 3.14 | 4.82 | 57.2 | 3.40 | 4.93 | 59.6 | 3.51 | 4.97 | 67.5 | 3.86 | 5.13 |
| | 70 | 27.1 | 1.68 | 4.74 | 32.5 | 1.97 | 4.84 | 34.8 | 2.09 | 4.88 | 42.6 | 2.49 | 5.02 | 50.3 | 2.86 | 5.16 | 55.8 | 3.11 | 5.26 | 58.1 | 3.21 | 5.31 | 65.8 | 3.54 | 5.45 |
| | 80 | 26.6 | 1.51 | 5.14 | 31.9 | 1.78 | 5.24 | 34.1 | 1.89 | 5.28 | 41.6 | 2.25 | 5.42 | 49.2 | 2.59 | 5.56 | 54.4 | 2.82 | 5.66 | 56.7 | 2.92 | 5.70 | 64.2 | 3.23 | 5.84 |
| 2000 | 60 | 28.2 | 1.90 | 4.37 | 33.9 | 2.22 | 4.47 | 36.3 | 2.36 | 4.51 | 44.3 | 2.79 | 4.65 | 52.3 | 3.20 | 4.80 | 57.9 | 3.47 | 4.90 | 60.3 | 3.58 | 4.94 | 68.3 | 3.94 | 5.08 |
| | 70 | 27.4 | 1.70 | 4.74 | 32.9 | 2.00 | 4.83 | 35.3 | 2.12 | 4.87 | 43.1 | 2.53 | 5.00 | 50.9 | 2.91 | 5.13 | 56.4 | 3.17 | 5.22 | 58.8 | 3.28 | 5.26 | 66.6 | 3.62 | 5.39 |
| | 80 | 26.8 | 1.52 | 5.16 | 32.2 | 1.80 | 5.24 | 34.4 | 1.91 | 5.28 | 42.1 | 2.29 | 5.40 | 49.7 | 2.65 | 5.51 | 55.1 | 2.89 | 5.60 | 57.4 | 2.99 | 5.63 | 65.0 | 3.32 | 5.75 |
| 2200 | 60 | 28.3 | 1.89 | 4.39 | 34.0 | 2.22 | 4.48 | 36.5 | 2.36 | 4.53 | 44.6 | 2.80 | 4.67 | 52.8 | 3.22 | 4.81 | 58.5 | 3.50 | 4.90 | 60.9 | 3.61 | 4.94 | 69.1 | 3.99 | 5.08 |
| | 70 | 27.8 | 1.71 | 4.77 | 33.3 | 2.01 | 4.85 | 35.7 | 2.14 | 4.89 | 43.6 | 2.55 | 5.01 | 51.5 | 2.95 | 5.12 | 57.0 | 3.21 | 5.21 | 59.4 | 3.32 | 5.24 | 67.3 | 3.68 | 5.36 |
| | 80 | 27.1 | 1.53 | 5.18 | 32.5 | 1.82 | 5.25 | 34.8 | 1.93 | 5.28 | 42.5 | 2.32 | 5.39 | 50.2 | 2.68 | 5.49 | 55.6 | 2.93 | 5.56 | 58.0 | 3.04 | 5.59 | 65.7 | 3.38 | 5.70 |

HEATING EXPANDED RATINGS WITH T6BQ (Continued)

T6BQ120-* High Speed

| | | OUTDOOR TEMPERATURE (Deg. F) | | | | | | | | | | | | | | | | | | | | | | | |
|------|--------------------|------------------------------|------|------|------|------|------|------|------|------|------|------|------|-------|------|------|-------|------|-------|-------|------|-------|-------|------|-------|
| CFM | Indoor T. Deg.F | 10 | | | 17 | | | 20 | | | 30 | | | 40 | | | 47 | | | 50 | | | 60 | | |
| | | MBH | COP | kW | MBH | COP | kW | MBH | COP | kW | MBH | COP | kW | MBH | COP | kW | MBH | COP | kW | MBH | COP | kW | MBH | COP | kW |
| 3800 | 60 | 62.3 | 2.61 | 7.01 | 71.5 | 2.87 | 7.31 | 75.5 | 2.98 | 7.44 | 88.6 | 3.30 | 7.87 | 101.8 | 3.60 | 8.30 | 111.0 | 3.79 | 8.60 | 115.0 | 3.86 | 8.73 | 128.1 | 4.10 | 9.16 |
| | 70 | 60.7 | 2.28 | 7.81 | 70.0 | 2.54 | 8.08 | 73.9 | 2.64 | 8.20 | 87.1 | 2.97 | 8.60 | 100.3 | 3.27 | 9.00 | 109.6 | 3.46 | 9.27 | 113.5 | 3.54 | 9.39 | 126.7 | 3.80 | 9.79 |
| | 80 | 60.5 | 2.05 | 8.63 | 69.6 | 2.29 | 8.91 | 73.5 | 2.39 | 9.03 | 86.4 | 2.69 | 9.43 | 99.4 | 2.97 | 9.83 | 108.5 | 3.15 | 10.11 | 112.4 | 3.22 | 10.23 | 125.4 | 3.46 | 10.63 |
| 4000 | 60 | 62.8 | 2.65 | 6.96 | 72.1 | 2.92 | 7.24 | 76.1 | 3.03 | 7.36 | 89.3 | 3.37 | 7.77 | 102.6 | 3.68 | 8.18 | 111.9 | 3.88 | 8.46 | 115.9 | 3.96 | 8.58 | 129.1 | 4.21 | 8.99 |
| | 70 | 61.3 | 2.33 | 7.72 | 70.6 | 2.59 | 7.98 | 74.6 | 2.70 | 8.09 | 87.8 | 3.04 | 8.47 | 101.0 | 3.35 | 8.84 | 110.3 | 3.55 | 9.10 | 114.3 | 3.64 | 9.21 | 127.5 | 3.90 | 9.59 |
| | 80 | 60.7 | 2.08 | 8.57 | 69.9 | 2.32 | 8.82 | 73.8 | 2.42 | 8.92 | 86.9 | 2.75 | 9.28 | 100.0 | 3.05 | 9.63 | 109.2 | 3.24 | 9.88 | 113.1 | 3.32 | 9.98 | 126.2 | 3.58 | 10.34 |
| 4200 | 60 | 62.4 | 2.65 | 6.92 | 71.9 | 2.93 | 7.20 | 76.0 | 3.04 | 7.32 | 89.5 | 3.40 | 7.72 | 103.1 | 3.72 | 8.13 | 112.6 | 3.93 | 8.41 | 116.7 | 4.01 | 8.53 | 130.2 | 4.28 | 8.93 |
| | 70 | 62.0 | 2.36 | 7.71 | 71.2 | 2.62 | 7.96 | 75.2 | 2.74 | 8.06 | 88.4 | 3.08 | 8.41 | 101.6 | 3.40 | 8.75 | 110.9 | 3.62 | 9.00 | 114.9 | 3.70 | 9.10 | 128.1 | 3.98 | 9.45 |
| | 80 | 61.1 | 2.10 | 8.53 | 70.3 | 2.35 | 8.76 | 74.3 | 2.46 | 8.85 | 87.4 | 2.80 | 9.17 | 100.6 | 3.11 | 9.49 | 109.8 | 3.32 | 9.71 | 113.8 | 3.40 | 9.81 | 127.0 | 3.68 | 10.13 |

T6BQ120-* Low Speed

| | | OUTDOOR TEMPERATURE (Deg. F) | | | | | | | | | | | | | | | | | | | | | | | |
|------|--------------------|------------------------------|------|------|------|------|------|------|------|------|------|------|------|------|------|------|------|------|------|------|------|------|------|------|------|
| CFM | Indoor T. Deg.F | 10 | | | 17 | | | 20 | | | 30 | | | 40 | | | 47 | | | 50 | | | 60 | | |
| | | MBH | COP | kW | MBH | COP | kW | MBH | COP | kW | MBH | COP | kW | MBH | COP | kW | MBH | COP | kW | MBH | COP | kW | MBH | COP | kW |
| 2450 | 60 | 40.6 | 2.17 | 5.48 | 46.4 | 2.46 | 5.53 | 48.9 | 2.59 | 5.55 | 57.3 | 2.99 | 5.61 | 65.6 | 3.39 | 5.68 | 71.5 | 3.66 | 5.72 | 74.0 | 3.78 | 5.74 | 82.3 | 4.16 | 5.81 |
| | 70 | 39.4 | 1.92 | 6.04 | 45.2 | 2.19 | 6.05 | 47.7 | 2.31 | 6.06 | 56.0 | 2.70 | 6.09 | 64.2 | 3.08 | 6.11 | 70.0 | 3.35 | 6.13 | 72.5 | 3.46 | 6.14 | 80.8 | 3.84 | 6.16 |
| | 80 | 39.0 | 1.73 | 6.61 | 44.7 | 1.98 | 6.62 | 47.1 | 2.09 | 6.62 | 55.1 | 2.44 | 6.62 | 63.2 | 2.80 | 6.62 | 68.8 | 3.05 | 6.62 | 71.2 | 3.15 | 6.62 | 79.3 | 3.51 | 6.62 |
| 2650 | 60 | 40.9 | 2.19 | 5.47 | 46.8 | 2.49 | 5.51 | 49.4 | 2.62 | 5.52 | 57.8 | 3.04 | 5.58 | 66.3 | 3.45 | 5.63 | 72.2 | 3.74 | 5.67 | 74.8 | 3.86 | 5.68 | 83.2 | 4.25 | 5.74 |
| | 70 | 39.9 | 1.95 | 6.00 | 45.7 | 2.23 | 6.01 | 48.2 | 2.35 | 6.02 | 56.5 | 2.75 | 6.03 | 64.9 | 3.15 | 6.05 | 70.7 | 3.42 | 6.06 | 73.2 | 3.54 | 6.07 | 81.5 | 3.93 | 6.08 |
| | 80 | 39.2 | 1.74 | 6.59 | 45.0 | 2.00 | 6.58 | 47.4 | 2.11 | 6.57 | 55.6 | 2.49 | 6.56 | 63.7 | 2.86 | 6.54 | 69.5 | 3.12 | 6.52 | 71.9 | 3.24 | 6.52 | 80.1 | 3.61 | 6.50 |
| 2850 | 60 | 40.8 | 2.19 | 5.47 | 46.9 | 2.50 | 5.50 | 49.5 | 2.63 | 5.52 | 58.1 | 3.06 | 5.57 | 66.8 | 3.48 | 5.62 | 72.9 | 3.77 | 5.66 | 75.4 | 3.90 | 5.68 | 84.1 | 4.30 | 5.73 |
| | 70 | 40.3 | 1.97 | 6.01 | 46.2 | 2.25 | 6.02 | 48.7 | 2.37 | 6.02 | 57.1 | 2.78 | 6.02 | 65.4 | 3.19 | 6.02 | 71.3 | 3.47 | 6.03 | 73.8 | 3.59 | 6.03 | 82.2 | 4.00 | 6.03 |
| | 80 | 39.6 | 1.76 | 6.59 | 45.3 | 2.03 | 6.56 | 47.8 | 2.14 | 6.55 | 56.0 | 2.52 | 6.52 | 64.3 | 2.91 | 6.48 | 70.0 | 3.18 | 6.46 | 72.5 | 3.30 | 6.45 | 80.7 | 3.69 | 6.42 |



GENERAL TERMS OF LIMITED WARRANTY

Nortek Global HVAC, LLC will furnish a replacement for any part of this product which fails in normal use and service within the terms and conditions of the warranty.

For complete details of the Limited Warranty, including applicable terms and conditions, see your local installer or contact the Nortek Global HVAC, LLC warranty department for a copy.

Before purchasing this appliance, read important energy cost and efficiency information available from your retailer. Specifications and illustrations subject to change without notice and without incurring obligations. Printed in U.S.A (02/2018)