

Submittal: GXH30(8.8)FMK4DH

Flex Match Outdoor Unit

| | | |
|-------------------|-------------|-------|
| Job Name: | Location: | Date: |
| Purchaser: | Engineer: | |
| Submitted To: | For: | |
| Unit Designation: | Schedule #: | |

- Features:
- Inverter-driven Compressor and Fan
 - Flared Piping Connections
 - Wireless Remote Controller Included
 - Anti-corrosion coils
 - Intelligent defrost
 - Auto-Restart
 - Easy diagnosis
 - Limited 5-year parts & 7-year compressor warranty



| SYSTEM RATINGS | |
|---------------------------|--------|
| Rated Cooling Capacity: | 29,002 |
| Minimum Cooling Capacity: | 8,189 |
| Maximum Cooling Capacity: | 33,438 |
| Rated Heating Capacity: | 31,595 |
| Minimum Heating Capacity: | 8,189 |
| Maximum Heating Capacity: | 32,414 |
| SEER: | 21 |
| EER: | 12.01 |
| HSPF: | 10.2 |
| COP: | 12.79 |

| OUTDOOR UNIT DATA | |
|---------------------------------|-----------------|
| Compressor | |
| Type: | Inverter Rotary |
| RLA: | 13.9 |
| Fan Motor | |
| Output Power: | 100 |
| FLA: | 0.68 |
| Air Flow CFM (Max): | 2,330 |
| Sound Pressure | |
| Cooling: | 59 |
| Heating: | 69 |
| Physical Characteristics | |
| Dimensions: | |
| Width: | 38.583 |
| Height: | 31.102 |
| Depth: | 17.323 |
| Weight (Net lbs) | 145.53 |

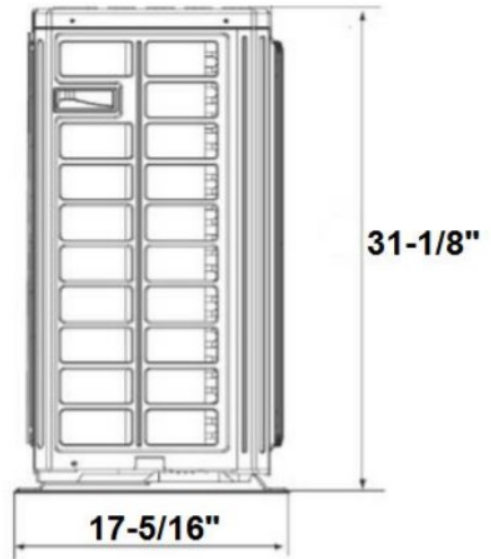
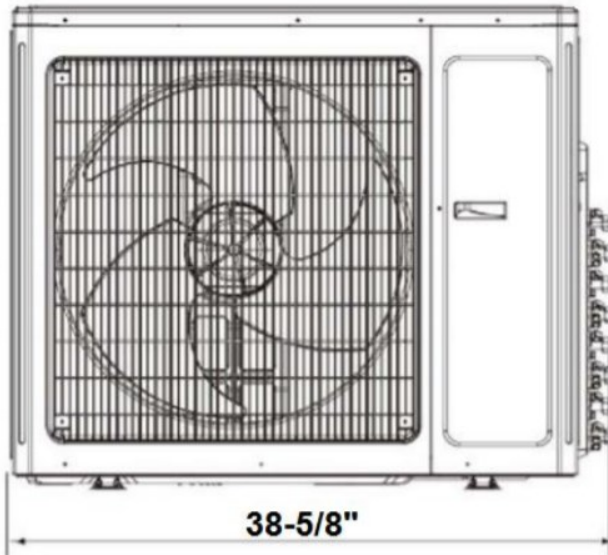
| Operating Ambient Temperature Range (°F) | |
|--|---------|
| Cooling (Min-Max): | 0 ~ 118 |
| Heating (Min-Max): | -4 ~ 86 |

| Refrigerant Piping Data | |
|---|--------|
| Refrigerant Type: | R-410A |
| Pre-charged Amount (Oz): | 98.8 |
| Additional amount (Oz/ft.): | 0.215 |
| No additional refrigerant is needed if total line set length does not exceed 131.2 feet. If length exceeds 131.2 feet, add 0.2 Oz/ft | |
| <i>See page 3 and 4 for piping limitations.</i> | |

| Power Supply | |
|-------------------------------------|---------|
| Voltage (Min-Max): | 176/253 |
| Minimum Circuit Ampacity (MCA): | 19 |
| Max. Overcurrent Protection (MOCP): | 30 |

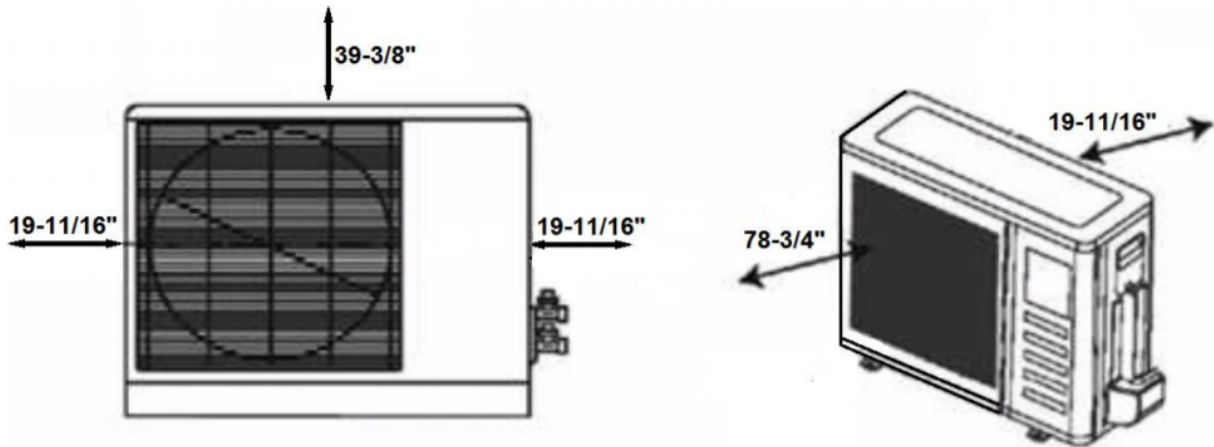
Submittal: GXH30(8.8)FMK4DH

Outdoor Unit Dimensions



| Outdoor Unit Piping Connection Size | | |
|-------------------------------------|----------|------|
| | "Liquid" | Gas |
| Circuit "A" | 1/4" | 3/8" |
| Circuit "B" | 1/4" | 3/8" |
| Circuit "C" | 1/4" | 3/8" |
| Circuit "D" | 1/4" | 3/8" |

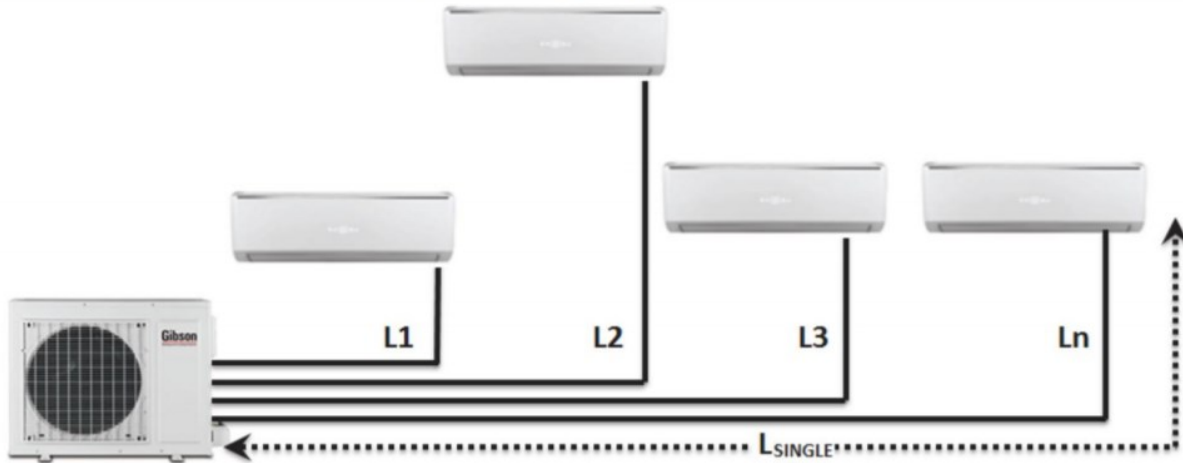
Outdoor Unit Minimum Clearances



Specifications are subject to change without notice.

Submittal: GXH30(8.8)FMK4DH

System Piping Length Information

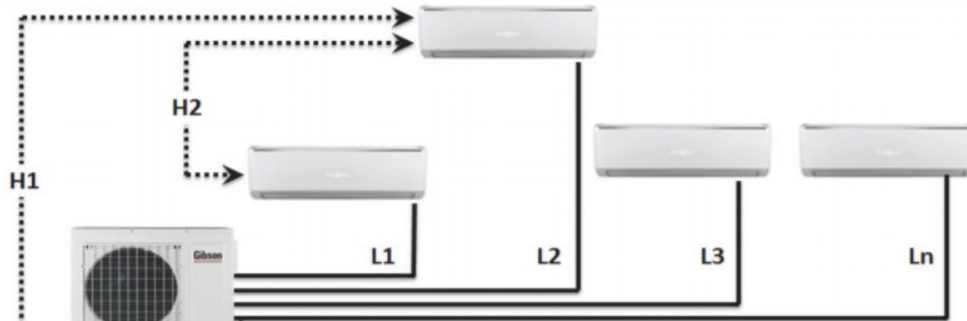


$$L_{TOTAL} = L1 + L2 + \dots + Ln$$

| Model Number | Min. Piping Length Per Indoor Unit (Ln) | Max. Piping Length Per Indoor Unit (Ln) | Max. Total Piping Length (L _{TOTAL}) |
|-------------------|---|---|--|
| GXH18(5.3)FMK4DH | 10 | 32.8 | 65.6 |
| GXH24(7.0)FMK4DH | 10 | 65.6 | 196.8 |
| GXH30(8.8)FMK4DH | 10 | 82 | 229.7 |
| GXH36(10.6)FMK4DH | 10 | 82 | 246.1 |
| GXH42(12.3)FMK4DH | 10 | 82 | 246.1 |

"L" is the linear equivalent length of liquid line including elbows.

System Piping Height Difference Information



$$L_{TOTAL} = L1 + L2 + \dots + Ln$$

| Model Number | Max. Height Difference Between Indoor and Outdoor Units (H1) | Max. Height Difference Between Indoor Units (H2) |
|-------------------|--|--|
| GXH18(5.3)FMK4DH | 32.8 | 32.8 |
| GXH24(7.0)FMK4DH | 32.8 | 32.8 |
| GXH30(8.8)FMK4DH | 49.2 | 49.2 |
| GXH36(10.6)FMK4DH | 49.2 | 49.2 |
| GXH42(12.3)FMK4DH | 49.2 | 49.2 |

"H" is the difference in height measured from the piping connections.