

Submission: GXH12(3.5)LSK4DH

High Efficiency Heat Pump

Job Name:	Location:	Date:
Purchaser:	Engineer:	
Submitted To:	For:	
Unit Designation:	Schedule #:	

- Features:**
- Inverter-driven Compressor and Fan
 - Flared Piping Connections
 - Wireless Remote Controller Included
 - Anti-corrosion coils
 - Intelligent defrost
 - Auto-Restart
 - Easy diagnosis
 - Limited 5-year parts & 7-year compressor warranty



SYSTEM RATINGS	
Rated Cooling Capacity (Btu):	12,000
Minimum Cooling Capacity (Btu):	3,100
Maximum Cooling Capacity (Btu):	13,000
Rated Heating Capacity (Btu):	13,000
Minimum Heating Capacity (Btu):	2,400
Maximum Heating Capacity (Btu):	14,000
SEER:	22.00
EER:	12.50
HSPF:	10.10
COP:	11.82
METERING DEVICE	
Location	ODU
Type	EEV

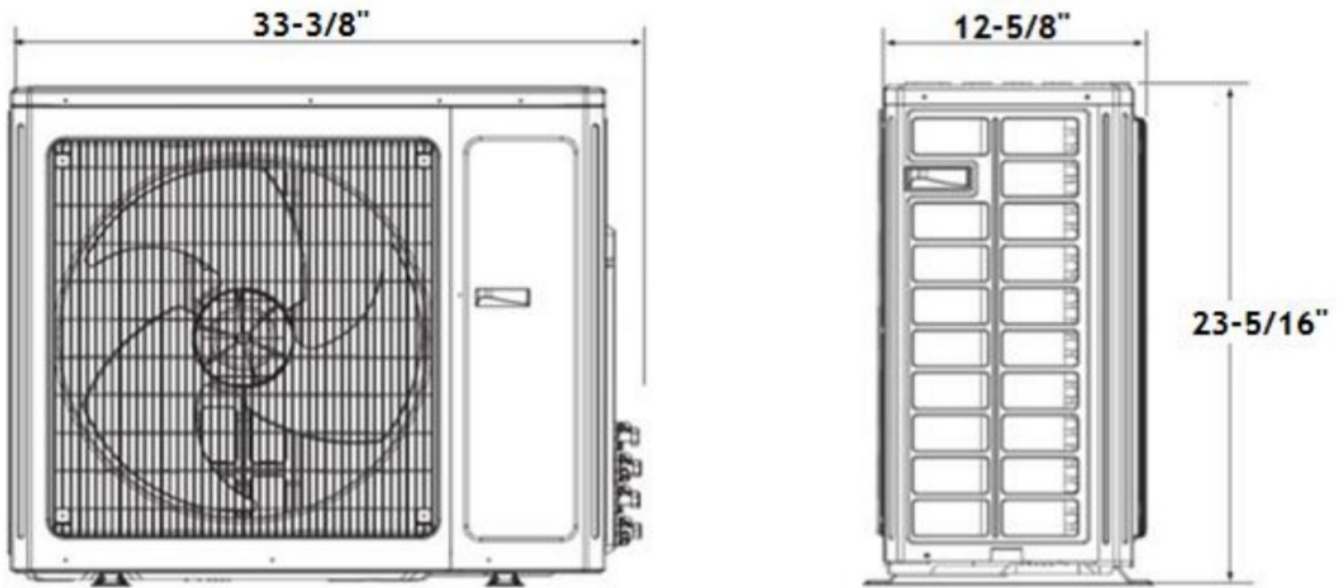
OUTDOOR UNIT DATA	
Compressor	
Type:	Rotary
RLA:	4
Fan Motor	
Output Power(W):	30
RLA:	0.36
Sound Pressure (dBA):	54
Physical Characteristics	
Net Weight (lbs):	85.995
Dimensions (in)	
W:	33-3/8
H:	23-5/16
D:	12-5/8

Operation Range (Outdoor Ambient)	
Cooling (Min-Max)°F:	0~115
Heating (Min-Max)°F:	-4~75
Power Supply	
Voltage (Min-Max):	187/253
Minimum Circuit Ampacity (MCA):	9
Max. Overcurrent Protection (MOCP):	15

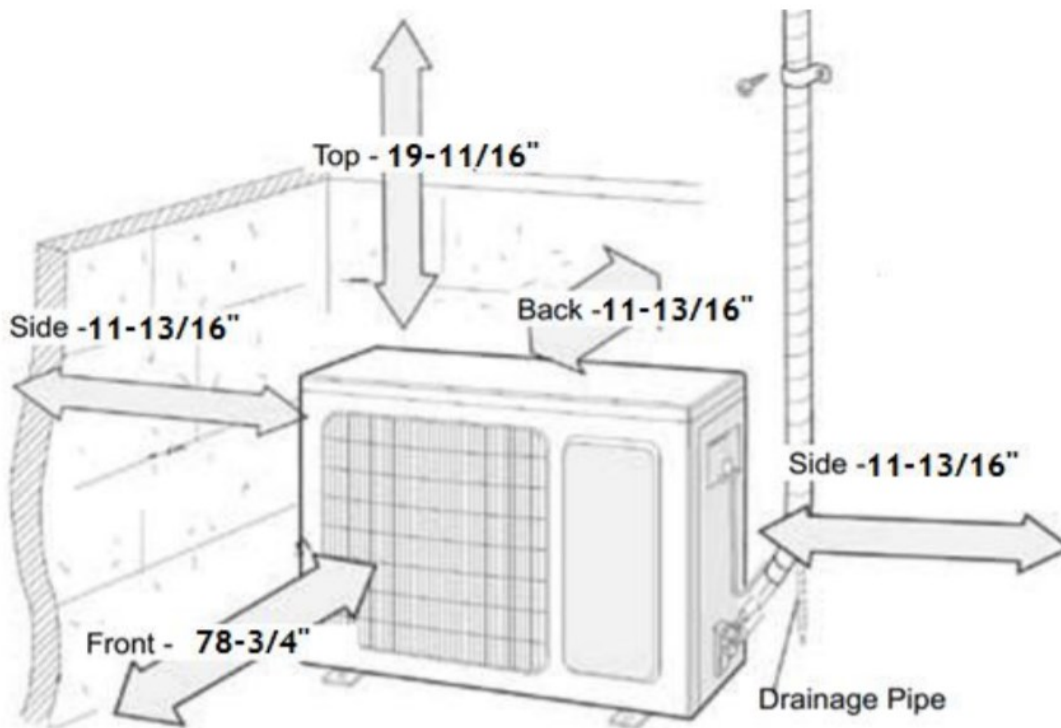
Refrigerant Piping Data	
Refrigerant Type:	R-410A
Pre-charged Amount (Oz):	47.6
Pre-Charged Length (ft):	24.6
Additional amount (Oz/ft.):	0.22
Max. Piping Length (ft):	65.6
Max. Piping Height (ft):	32.8
ODU Connection Size (Gas):	1/2"
ODU Connection Size (Liquid):	1/4"

Submittal: GXH12(3.5)LSK4DH

Outdoor Unit Dimensions



Outdoor Unit Minimum Clearances



Submittal: GHH12(3.5)LUK4DH

High Efficiency Heat Pump

Features:

- Inverter-driven Variable Speed Blower
- Flared Piping Connections
- Wireless Remote Controller Included
- Anti-corrosion coils
- iFeel Operation
- Air Filters Included
- Turbo Cooling
- Intelligent Preheating
- Child Lock Function



Indoor Unit Data

Blower Data

CFM (Max/Min):	400/170
Output (W):	20
RLA:	0.090
Capacitor Rating (µF):	N/A

Sound Pressure

Cooling dB (A) (Min/Max):	29/45
---------------------------	-------

Physical Characteristics

Net Weight (lbs): 22.05

Dimensions (in.)

W: 33-5/16

H: 11-3/8

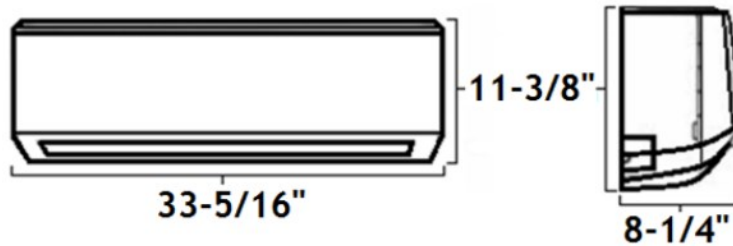
D: 8-1/4

Piping Connection Size

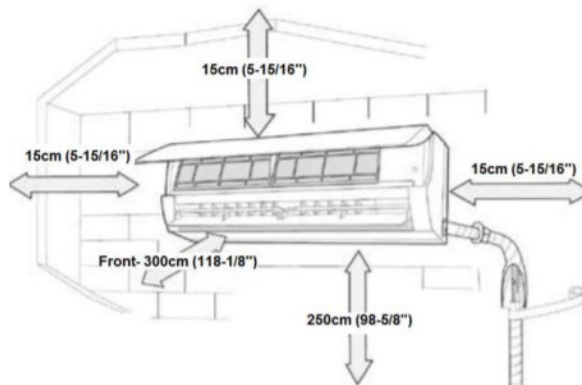
"Liquid": 1/4"

Gas: 1/2"

Dimensions



Clearances



Specifications & illustrations are subject to change without notice or incurring obligations.
 O'Fallon, MO ©Nortek Global HVAC, LLC 2017. All Rights Reserved. 875E (6/17)

ODU SKU: 1007902

IDU SKU: 1007901