

Submittal:GXH12(3.5)LSA4DL	Standard Efficiency Heat Pump
-----------------------------------	--------------------------------------

Job Name:	Location:	Date:
Purchaser:	Engineer:	
Submitted To:	For:	
Unit Designation:	Schedule #:	

- Features:**
- Inverter-driven Compressor and Fan
 - Flared Piping Connections
 - Wireless Remote Controller Included
 - Anti-corrosion coils
 - Intelligent defrost
 - Auto-Restart
 - Easy diagnosis
 - Limited 5-year parts & 7-year compressor warranty



SYSTEM RATINGS

Rated Cooling Capacity (Btu):	12,000
Minimum Cooling Capacity (Btu):	3,753
Maximum Cooling Capacity (Btu):	12,500
Rated Heating Capacity (Btu):	13,000
Minimum Heating Capacity (Btu):	3,412
Maximum Heating Capacity (Btu):	15,013
SEER:	16.00
EER:	10.05
HSPF:	9.00
COP:	10.40

METERING DEVICE

Location	ODU
Type	Capillary

Operation Range (Outdoor Ambient)

Cooling (Min-Max)°F:	0~115
Heating (Min-Max)°F:	-4~75

Power Supply

Voltage (Min-Max):	103/127
Minimum Circuit Ampacity (MCA):	17
Max. Overcurrent Protection (MOCP):	25

OUTDOOR UNIT DATA

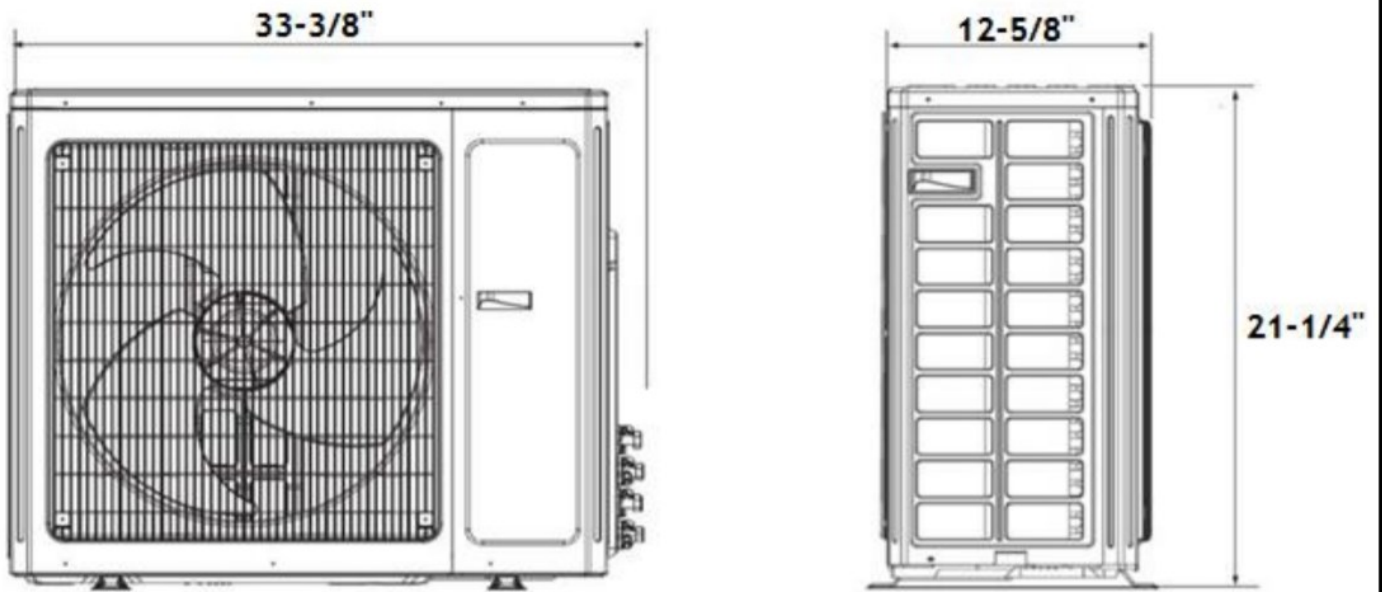
Compressor		
Type:	R-410A	
RLA:	15.23	
Fan Motor		
Output Power(W):	30	
RLA:	0.24	
Sound Pressure (dBA):	53	
Physical Characteristics		
Net Weight (lbs):	62.842	
Dimensions (in)		
W:	33-3/8	
H:	21-1/4	
D:	12-5/8	

Refrigerant Piping Data

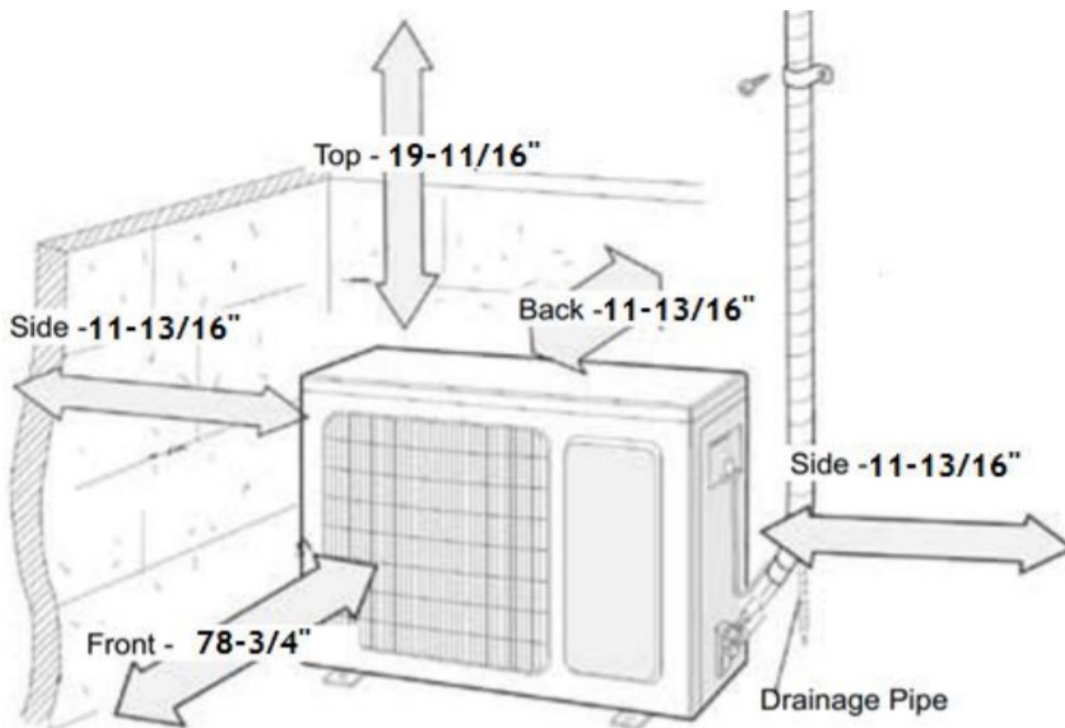
Refrigerant Type:	R-410A
Pre-charged Amount (Oz):	24.7
Pre-Charged Length (ft):	24.6
Additional amount (Oz/ft.):	0.2
Max. Piping Length (ft):	65.6
Max. Piping Height (ft):	32.8
ODU Connection Size (Gas):	3/8"
ODU Connection Size (Liquid):	1/4"

Submittal: GXH12(3.5)LSA4DL

Outdoor Unit Dimensions



Outdoor Unit Minimum Clearances



Features:

- Inverter-driven Variable Speed Blower
- Flared Piping Connections
- Wireless Remote Controller Included
- Anti-corrosion coils
- iFeel Operation
- Air Filters Included
- Turbo Cooling
- Intelligent Preheating
- Child Lock Function



Indoor Unit Data

Blower Data

CFM (Max/Min):	318/171
Output (W):	20
RLA:	0.250
Capacitor Rating (µF):	4

Sound Pressure

Cooling dB (A) (Min/Max):	29/43
---------------------------	-------

Physical Characteristics

Net Weight (lbs): 22.05

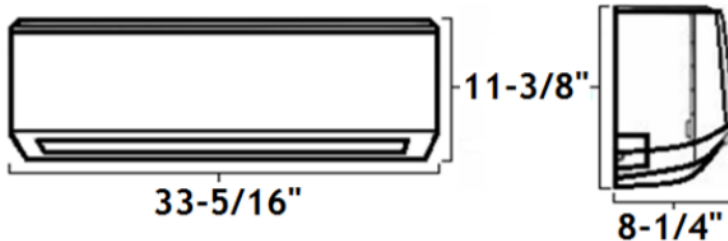
Dimensions (in.)

W:	33-5/16
H:	11-3/8
D:	8-1/4

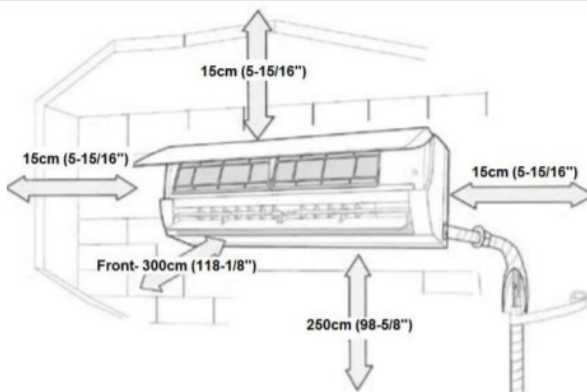
Piping Connection Size

"Liquid":	1/4"
Gas:	3/8"

Dimensions



Clearances



Specifications & illustrations are subject to change without notice or incurring obligations.
 O'Fallon, MO ©Nortek Global HVAC, LLC 2017. All Rights Reserved. 881E (6/17)

ODU SKU: 1009415
IDU SKU: 1009414