

WSA2BE Series

High Efficiency Air Conditioner 14 SEER Residential System 1-1/2 – 5 Ton Capacity

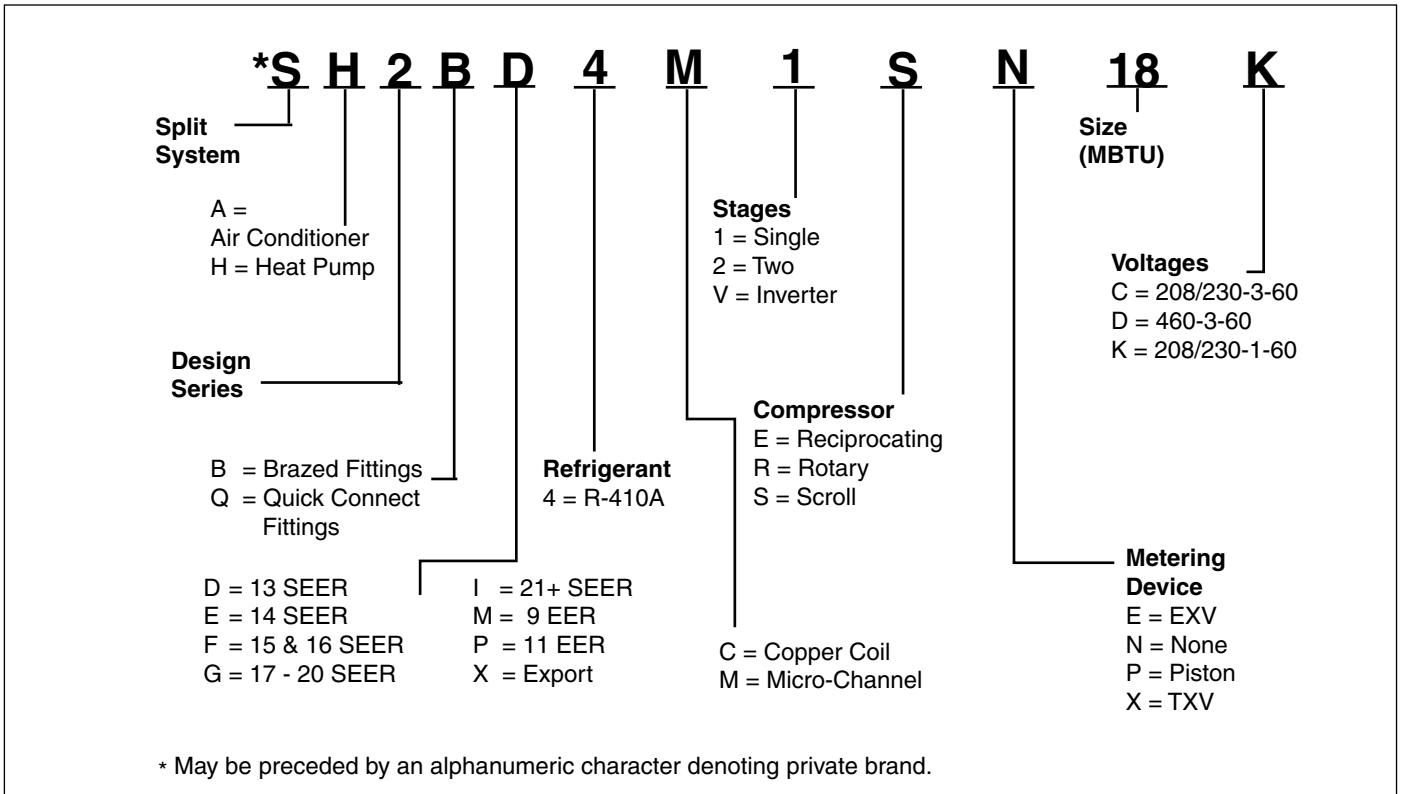
The WSA2BE Series of air conditioners offers exceptional performance. The unit, when combined with our engineered coils or air handlers, offers a full line of quality, split system cooling equipment.



FEATURES and BENEFITS

- **Quality Compressor:** State-of-the-art Copeland Scroll™ compressor is standard equipment.
- **Full Service Valves:** These brass valves are easily accessible and simplify servicing of the refrigeration system.
- **Designed Using Galvanized Steel:** With a polyester urethane coat finish, it passes 950 hours of salt spray per ASTM Std. B117.
- **Composite Base Pan:** Absorbs sound and is corrosion resistant. Composite is also stronger and lighter than steel.
- **Permanently Lubricated Motor:** A heavy duty PSC motor for long lasting reliability and quiet operation. Requires no maintenance and is completely protected from rain and snow.
- **Removable Top Grille Assembly:** Allows ease of service from the top without disconnecting fan motor leads.
- **High Pressure Switch:** Protects against abnormally high system pressures. Auto-reset feature avoids nuisance service visits.
- **Liquid Line Filter Drier:** Included with unit, field installed.
- **One Piece Top/Orifice:** Designed for maximum airflow and quiet operation.
- **Easy Compressor and Control Access:** Designed to make servicing easier for the contractor, access panels are provided to all controls and the compressor from the side of the unit.
- **All-Aluminum Coils:** Aluminum coils in all models which provides high corrosion resistance.
- **Powder Coated Wire Guard and Mesh Hail Guard:** Will never rust and protects the coil from being damaged by balls, lawnmowers, hail, etc.

MODEL IDENTIFICATION CODES

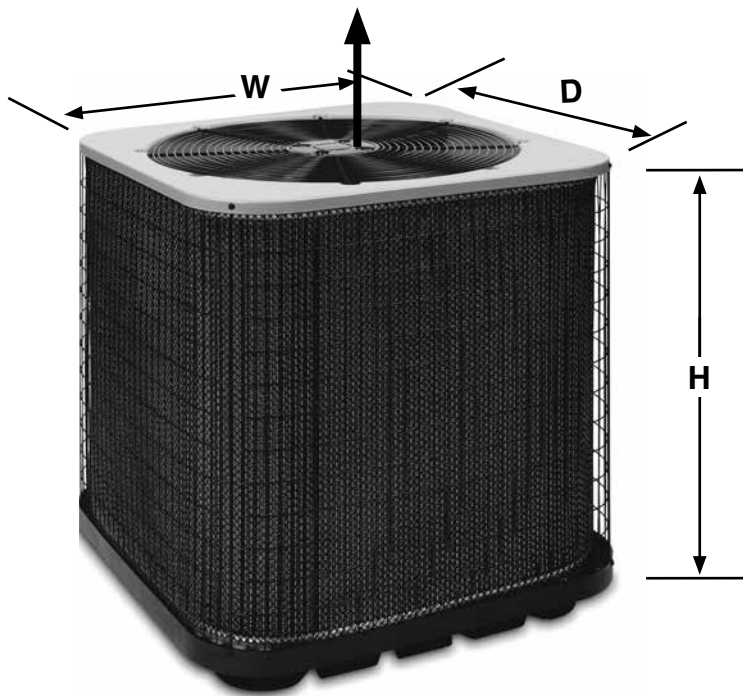


DIMENSIONS

AIR CONDITIONER OUTDOOR SECTION

WSA2BE	18K	24K	30K	36K	42K	48K	60K
H	27	31	27	35	39	39	43
W	22 3/4	22 3/4	30 3/4	30 3/4	30 3/4	30 3/4	30 3/4
D	22 3/4	22 3/4	30 3/4	30 3/4	30 3/4	30 3/4	30 3/4

Air Discharge
Allow Adequate Clearance for Airflow



PHYSICAL AND ELECTRICAL SPECIFICATIONS / OUTDOOR UNITS

14 SEER — High Efficiency — Single Phase

Model Number WSA2BE		SN18K	SN24K	SN30K	SN36K	SN42K	SN48K	SN60K
Electrical Data	Volts-Cycles-Phase (1)	208/230-60-1						
	Delay Fuse Max. (2)	20	30	30	30	40	45	60
	Min. Circuit Ampacity	12.4	17.5	18.5	19.1	23.8	26.2	35.6
Fan Motor	HP	1/10	1/10	1/8	1/4	1/4	1/4	1/3
Refrigerant suction line O.D. NOTE: Liquid line is 3/8" O.D. for entire length.	0-24 ft.	3/4"	3/4"	3/4"	3/4"	7/8"	7/8"	7/8"
	25-39 ft.	3/4"	3/4"	3/4"	7/8" (3)	7/8"	7/8"	1-1/8" (4)
	40-75 ft.	3/4"	3/4"	3/4"	7/8" (3)	7/8"	7/8"	1-1/8" (4)
Approximate Weight (lbs.)	Net	101	119	126	140	169	170	205
	Ship	116	134	147	164	193	195	230
Sound Rating db		74	74	75	79	79	79	79

(1) Operating Voltage Range: 187v min. - 253v max.

(2) HACR Type Circuit Breakers may be used.

(3) Requires 7/8" to 3/4" reducer from line to unit.

(4) Requires 7/8" to 1-1/8" reducer from line to unit.

ACCESSORIES - Condensing Unit

Start Assist Kit - 912933

Provides additional starting torque for the compressor motor when operating with low line voltage or high operating temperatures.

Low Ambient Kit - 918837

SYSTEM COOLING CAPACITIES

14 SEER — High Efficiency — Single Phase

Outdoor Unit	Indoor Unit	BTUH	SEER	EER	CFM
WSA2BE4M1SN18K	C7B(A,H)M01824(C,U)-A+TXV	18,000	14	12.2	680
WSA2BE4M1SN18K	C7B(A,H)M01824(C,U)-B+TXV	18,000	14	12.2	680
WSA2BE4M1SN24K	C7B(A,H)M01824(C,U)-A+TXV	24,000	14	12.2	845
WSA2BE4M1SN24K	C7B(A,H)M01824(C,U)-B+TXV	24,000	14	12.2	845
WSA2BE4M1SN30K	C7B(A,H)M03036(C,U)-A+TXV	29,000	14	12.0	945
WSA2BE4M1SN30K	C7B(A,H)M03036(C,U)-B+TXV	29,000	14	12.0	945
WSA2BE4M1SN36K	C7B(A,H)M03642(C,U)-B+TXV	34,800	14	12.2	1110
WSA2BE4M1SN36K	C7B(A,H)M03648(C,U)-C+TXV	34,800	14	12.2	1110
WSA2BE4M1SN42K	C7B(A,H)M03642(C,U)-B+TXV	40,500	14	12.2	1305
WSA2BE4M1SN42K	C7B(A,H)M03648(C,U)-C+TXV	40,500	14	12.2	1305
WSA2BE4M1SN48K	C7B(A,H)M048(C,U)-C+TXV	45,500	14	11.7	1525
WSA2BE4M1SN48K	C7B(A,H)M048(C,U)-D+TXV	45,500	14	11.7	1525
WSA2BE4M1SN60K	C7B(A,H)M060(C,U)-C+TXV	57,000	14	11.7	1540
WSA2BE4M1SN60K	C7B(A,H)M060(C,U)-D+TXV	57,000	14	11.7	1540

Outdoor Unit	Indoor Unit	BTUH	SEER	EER	CFM
WSA2BE4M1SN18K	B6BMMX24K-A	18,000	14	12.2	600
WSA2BE4M1SN18K	B6BMMX24K-B	18,000	14	12.2	600
WSA2BE4M1SN24K	B6BMMX24K-A	24,000	14	12.2	705
WSA2BE4M1SN24K	B6BMMX24K-B	24,000	14	12.2	705
WSA2BE4M1SN30K	B6BMMX30K-A	30,200	14	12.2	875
WSA2BE4M1SN30K	B6BMMX30K-B	30,200	14	12.2	875
WSA2BE4M1SN36K	B6BMMX36K-B	34,000	14	12.2	905
WSA2BE4M1SN42K	B6BMMX42K-B	40,000	14	12.2	1225
WSA2BE4M1SN48K	B6BMMX48K-C	45,500	14	11.7	1450
WSA2BE4M1SN60K	B6BMMX60K-C	58,000	14	11.7	1660

See current AHRI Directory for certified combinations and ratings. All ratings are with time delay relay.

www.ahridirectory.org

COOLING EXPANDED RATINGS - LOOSE COIL

WSA2BE4M1SN18K with C7B(A,H)M01824(C,U)-A + TXV Kit

O.D.T			65°F			75°F			85°F			95°F			105°F			115°F		
CFM	E.D.B.	E.W.B.	T.C.	S.C.	K.W.	T.C.	S.C.	K.W.	T.C.	S.C.	K.W.	T.C.	S.C.	K.W.	T.C.	S.C.	K.W.	T.C.	S.C.	K.W.
525	80	62	19.7	14.7	1.08	19.0	14.6	1.22	18.2	15.0	1.36	17.3	14.8	1.51	16.36	15.63	1.69	15.31	14.63	1.89
	80	67	21.7	12.2	1.08	20.8	12.1	1.22	19.9	12.2	1.36	18.9	12.0	1.52	17.80	11.75	1.71	16.69	10.92	1.90
	80	72	23.9	9.6	1.08	22.9	9.5	1.22	21.9	9.7	1.38	20.7	9.4	1.54	19.57	9.26	1.72	18.37	9.48	1.91
	75	62	19.7	12.3	1.08	18.9	12.2	1.22	18.1	12.3	1.36	17.2	12.1	1.51	16.21	11.04	1.69	15.13	11.88	1.89
600	80	62	20.3	16.2	1.11	19.5	16.6	1.25	18.7	16.2	1.39	17.8	16.0	1.54	16.75	15.99	1.72	15.88	15.75	1.92
	80	67	22.3	13.0	1.11	21.4	13.4	1.25	20.4	13.0	1.39	19.3	12.9	1.55	18.13	12.83	1.74	16.98	12.81	1.93
	80	72	24.5	10.0	1.11	23.5	10.5	1.25	22.3	10.1	1.41	21.1	10.0	1.57	19.94	10.08	1.75	18.68	10.13	1.94
	75	62	20.2	13.1	1.11	19.4	13.5	1.25	18.5	13.1	1.39	17.6	12.9	1.54	16.53	12.87	1.72	15.42	12.78	1.92
675	80	62	20.8	17.6	1.14	20.0	17.7	1.28	19.1	17.4	1.42	18.2	17.2	1.57	17.34	16.75	1.76	16.38	16.31	1.95
	80	67	22.7	14.0	1.13	21.7	14.1	1.27	20.7	13.8	1.42	19.6	13.7	1.59	18.40	13.56	1.77	17.21	13.61	1.96
	80	72	25.0	10.8	1.13	23.9	11.0	1.28	22.7	10.6	1.44	21.5	10.6	1.61	20.21	10.54	1.78	18.92	10.68	1.97
	75	62	20.6	14.1	1.14	19.7	14.2	1.28	18.8	13.9	1.42	17.9	13.8	1.57	16.75	13.59	1.75	15.69	13.95	1.95

WSA2BE4M1SN24K with C7B(A,H)M01824(C,U)-A+TXV Kit

O.D.T			65°F			75°F			85°F			95°F			105°F			115°F		
CFM	E.D.B.	E.W.B.	T.C.	S.C.	K.W.	T.C.	S.C.	K.W.	T.C.	S.C.	K.W.	T.C.	S.C.	K.W.	T.C.	S.C.	K.W.	T.C.	S.C.	K.W.
700	80	62	25.2	19.8	1.38	24.3	19.7	1.55	23.2	19.8	1.72	22.1	19.5	1.91	20.90	20.47	2.12	19.63	19.23	2.38
	80	67	27.5	15.9	1.38	26.4	15.8	1.55	25.2	16.0	1.73	23.9	15.7	1.93	22.50	15.39	2.15	21.14	14.48	2.39
	80	72	30.2	12.3	1.39	28.9	12.3	1.56	27.6	12.5	1.75	26.1	12.2	1.96	24.69	11.99	2.17	23.18	12.29	2.41
	75	62	25.0	16.2	1.38	24.1	16.0	1.55	23.0	16.1	1.72	21.9	15.8	1.91	20.63	14.50	2.12	19.27	15.60	2.38
800	80	62	25.9	21.4	1.42	24.8	21.8	1.59	23.8	21.3	1.76	22.6	21.1	1.95	21.54	20.82	2.18	20.40	20.23	2.42
	80	67	28.1	17.0	1.42	26.9	17.5	1.59	25.7	17.0	1.77	24.4	16.8	1.97	22.92	16.81	2.20	21.48	16.80	2.43
	80	72	30.8	13.0	1.43	29.5	13.6	1.60	28.1	13.1	1.80	26.6	13.0	2.00	25.07	13.06	2.22	23.50	13.14	2.45
	75	62	25.6	17.2	1.42	24.6	17.6	1.59	23.4	17.2	1.76	22.3	17.0	1.95	21.05	17.28	2.16	19.65	17.17	2.42
900	80	62	26.4	23.2	1.46	25.4	23.3	1.63	24.4	22.7	1.80	23.4	22.2	1.99	22.17	21.42	2.23	20.99	20.90	2.47
	80	67	28.6	18.3	1.46	27.4	18.5	1.63	26.1	18.0	1.81	24.7	18.0	2.01	23.18	17.79	2.23	21.77	18.30	2.47
	80	72	31.3	13.9	1.47	30.0	14.2	1.64	28.5	13.8	1.84	26.9	13.7	2.04	25.34	13.70	2.26	23.71	13.87	2.49
	75	62	26.1	18.5	1.46	25.0	18.6	1.62	23.9	18.6	1.80	22.7	18.5	1.99	21.31	18.34	2.21	19.92	18.33	2.46

WSA2BE4M1SN30K with C7B(A,H)M03036(C,U)-A+TXV Kit

O.D.T			65°F			75°F			85°F			95°F			105°F			115°F		
CFM	E.D.B.	E.W.B.	T.C.	S.C.	K.W.	T.C.	S.C.	K.W.	T.C.	S.C.	K.W.	T.C.	S.C.	K.W.	T.C.	S.C.	K.W.	T.C.	S.C.	K.W.
875	80	62	31.2	24.6	1.69	30.0	24.4	1.88	28.8	24.5	2.07	27.5	24.1	2.30	26.09	25.15	2.56	24.56	23.67	2.85
	80	67	33.8	20.2	1.71	32.4	20.1	1.90	31.1	20.3	2.10	29.6	19.9	2.32	28.04	19.63	2.58	26.32	18.48	2.88
	80	72	36.8	15.4	1.73	35.3	15.4	1.92	33.7	15.7	2.12	32.1	15.4	2.35	30.34	15.14	2.62	28.44	15.49	2.92
	75	62	31.1	20.6	1.70	29.8	20.4	1.87	28.6	20.5	2.07	27.2	20.1	2.30	25.80	18.54	2.55	24.23	19.89	2.85
1000	80	62	31.9	26.3	1.75	30.7	26.8	1.93	29.4	26.1	2.13	28.0	25.8	2.35	26.63	25.50	2.61	25.15	24.94	2.91
	80	67	34.4	21.5	1.76	33.0	22.1	1.94	31.6	21.6	2.15	30.0	21.3	2.37	28.42	21.33	2.63	26.59	21.28	2.94
	80	72	37.3	16.3	1.79	35.8	17.0	1.97	34.2	16.5	2.18	32.5	16.4	2.40	30.62	16.47	2.67	28.64	16.55	2.97
	75	62	31.6	21.8	1.74	30.3	22.3	1.92	29.1	21.8	2.12	27.7	21.5	2.35	26.17	21.45	2.60	24.56	21.34	2.90
1125	80	62	32.5	28.2	1.80	31.2	28.2	1.98	29.9	27.5	2.18	28.6	27.1	2.40	27.22	26.30	2.66	25.73	25.62	2.97
	80	67	34.9	23.1	1.81	33.4	23.3	2.00	31.9	22.7	2.20	30.3	22.7	2.42	28.67	22.54	2.68	26.82	22.58	2.99
	80	72	37.7	17.4	1.84	36.1	17.8	2.02	34.4	17.3	2.23	32.7	17.3	2.46	30.79	17.23	2.73	28.84	17.43	3.03
	75	62	32.1	23.4	1.79	30.7	23.5	1.97	29.4	23.0	2.17	28.0	22.9	2.40	26.47	22.63	2.65	24.84	22.60	2.95

WSA2BE4M1SN36K with C7B(A,H)M03642(C,U)-B+TXV Kit

O.D.T			65°F			75°F			85°F			95°F			105°F			115°F		
CFM	E.D.B.	E.W.B.	T.C.	S.C.	K.W.	T.C.	S.C.	K.W.	T.C.	S.C.	K.W.	T.C.	S.C.	K.W.	T.C.	S.C.	K.W.	T.C.	S.C.	K.W.
1050	80	62	36.2	28.7	2.03	34.9	28.5	2.25	33.4	28.6	2.48	31.9	28.1	2.75	30.10	29.26	3.05	28.39	27.60	3.39
	80	67	39.8	23.6	2.04	38.2	23.5	2.26	36.5	23.7	2.50	34.7	23.3	2.77	32.88	22.98	3.06	30.92	21.39	3.39
	80	72	43.7	18.2	2.05	41.9	18.1	2.28	40.0	18.5	2.53	38.1	18.1	2.78	36.09	17.85	3.07	33.94	18.31	3.40
	75	62	36.1	24.0	2.03	34.7	23.8	2.25	33.2	23.9	2.49	31.7	23.5	2.75	29.85	21.61	3.05	28.08	23.18	3.39
1200	80	62	37.1	30.7	2.09	35.6	31.3	2.31	34.1	30.6	2.54	32.5	30.1	2.81	30.80	29.72	3.11	29.24	28.99	3.44
	80	67	40.6	25.2	2.10	38.9	25.9	2.32	37.2	25.3	2.56	35.3	25.0	2.83	33.37	25.08	3.12	31.33	24.99	3.45
	80	72	44.5	19.2	2.11	42.7	20.0	2.34	40.7	19.4	2.59	38.7	19.3	2.84	36.59	19.44	3.13	34.39	19.59	3.46
	75	62	36.9	25.5	2.09	35.4	26.1	2.31	33.8	25.4	2.55	32.1	25.1	2.81	30.34	24.99	3.11	28.48	24.90	3.44
1350	80	62	37.8	32.9	2.15	36.3	33.0	2.37	34.8	32.1	2.60	33.2	31.5	2.87	31.67	30.60	3.16	30.04	29.92	3.50
	80	67	41.2	27.1	2.15	39.5	27.4	2.37	37.6	26.8	2.62	35.7	26.7	2.89	33.76	26.44	3.17	31.67	26.56	3.50
	80	72	45.2	20.6	2.17	43.2	21.0	2.40	41.2	20.4	2.64	39.1	20.4	2.90	36.95	20.38	3.19	34.67	20.65	3.51
	75	62	37.5	27.3	2.15	35.9	27.5	2.37	34.3	26.8	2.60	32.5	26.6	2.87	30.72	26.40	3.16	28.81	26.39	3.50

COOLING EXPANDED RATINGS - LOOSE COIL (CONTINUED)

WSA2BE4M1SN42K with C7B(A,H)M03642(C,U)-B+TXV Kit

O.D.T			65°F			75°F			85°F			95°F			105°F			115°F		
CFM	E.D.B.	E.W.B.	T.C.	S.C.	K.W.	T.C.	S.C.	K.W.	T.C.	S.C.	K.W.	T.C.	S.C.	K.W.	T.C.	S.C.	K.W.	T.C.	S.C.	K.W.
1225	80	62	43.0	33.1	2.53	41.5	32.9	2.77	39.6	33.0	3.05	37.8	32.4	3.36	35.86	34.03	3.71	33.77	32.04	4.10
	80	67	47.1	27.4	2.54	45.2	27.2	2.79	43.3	27.5	3.07	41.3	27.0	3.38	39.10	26.61	3.73	36.83	24.74	4.13
	80	72	51.6	21.2	2.58	49.6	21.1	2.82	47.5	21.5	3.10	45.2	21.1	3.41	42.81	20.81	3.77	40.30	21.37	4.16
	75	62	42.9	27.8	2.53	41.3	27.6	2.76	39.5	27.7	3.05	37.6	27.2	3.36	35.65	25.20	3.71	33.59	27.00	4.10
1400	80	62	44.0	35.4	2.60	42.4	36.1	2.83	40.5	35.2	3.12	38.5	34.8	3.43	36.55	34.53	3.78	34.45	34.11	4.18
	80	67	48.1	29.1	2.61	46.2	30.0	2.86	44.1	29.2	3.15	42.0	28.9	3.45	39.72	28.95	3.80	37.36	28.97	4.20
	80	72	52.6	22.3	2.64	50.5	23.3	2.89	48.2	22.6	3.17	45.9	22.4	3.48	43.38	22.63	3.84	40.74	22.80	4.23
	75	62	43.9	29.5	2.60	42.2	30.2	2.83	40.2	29.4	3.12	38.3	29.1	3.43	36.24	29.03	3.78	34.05	28.80	4.17
1575	80	62	44.9	37.9	2.67	43.1	38.1	2.91	41.2	37.2	3.19	39.2	36.7	3.50	37.27	36.01	3.85	35.39	35.24	4.25
	80	67	48.8	31.2	2.69	46.8	31.6	2.93	44.7	30.8	3.21	42.5	30.7	3.52	40.20	30.55	3.87	37.76	30.72	4.27
	80	72	53.3	23.8	2.71	51.1	24.4	2.95	48.8	23.7	3.24	46.3	23.7	3.55	43.76	23.63	3.91	41.12	23.95	4.30
	75	62	44.6	31.6	2.66	42.8	31.9	2.90	40.8	31.1	3.18	38.8	30.9	3.50	36.72	30.46	3.85	34.47	30.48	4.24

WSA2BE4M1SN48K with C7B(A,H)M048(C,U)-C+TXV Kit

O.D.T			65°F			75°F			85°F			95°F			105°F			115°F		
CFM	E.D.B.	E.W.B.	T.C.	S.C.	K.W.	T.C.	S.C.	K.W.	T.C.	S.C.	K.W.	T.C.	S.C.	K.W.	T.C.	S.C.	K.W.	T.C.	S.C.	K.W.
1400	80	62	48.1	37.3	2.77	46.2	37.0	3.07	44.2	37.2	3.39	42.1	36.5	3.75	39.87	38.15	4.16	37.61	35.99	4.60
	80	67	52.3	30.8	2.81	50.3	30.6	3.10	48.1	30.9	3.41	45.8	30.3	3.78	43.45	29.85	4.18	40.99	27.77	4.64
	80	72	57.5	23.9	2.84	55.1	23.8	3.12	52.7	24.3	3.44	50.1	23.8	3.81	47.38	23.48	4.21	44.45	24.10	4.66
	75	62	47.9	31.3	2.77	45.9	31.0	3.06	44.0	31.2	3.38	41.9	30.5	3.75	39.63	28.24	4.16	37.33	30.24	4.60
1600	80	62	49.1	39.9	2.86	47.1	40.6	3.15	45.0	39.6	3.47	42.9	39.1	3.83	40.67	38.73	4.24	38.45	38.13	4.69
	80	67	53.4	32.7	2.89	51.2	33.6	3.17	49.0	32.8	3.49	46.6	32.4	3.86	44.16	32.43	4.26	41.59	32.44	4.72
	80	72	58.4	25.2	2.92	55.9	26.3	3.20	53.1	25.5	3.53	50.5	25.3	3.88	47.84	25.41	4.29	45.09	25.56	4.74
	75	62	48.8	33.2	2.85	46.9	33.9	3.14	44.8	33.0	3.46	42.6	32.6	3.83	40.28	32.51	4.24	37.87	32.38	4.68
1800	80	62	49.9	42.7	2.94	47.9	42.8	3.23	45.8	41.7	3.55	43.7	41.1	3.91	41.56	40.15	4.32	39.48	39.31	4.77
	80	67	54.2	35.0	2.97	52.0	35.4	3.25	49.7	34.6	3.57	47.2	34.4	3.94	44.67	34.18	4.34	42.00	34.34	4.80
	80	72	58.8	26.9	3.00	56.4	27.4	3.28	53.8	26.6	3.59	51.2	26.6	3.96	48.40	26.45	4.37	45.55	26.76	4.82
	75	62	49.6	35.5	2.94	47.6	35.7	3.23	45.4	34.8	3.54	43.1	34.6	3.91	40.76	34.07	4.32	38.30	34.07	4.76

WSA2BE4M1SN60K with C7B(A,H)M060(C,U)-C+TXV Kit

O.D.T			65°F			75°F			85°F			95°F			105°F			115°F		
CFM	E.D.B.	E.W.B.	T.C.	S.C.	K.W.	T.C.	S.C.	K.W.	T.C.	S.C.	K.W.	T.C.	S.C.	K.W.	T.C.	S.C.	K.W.	T.C.	S.C.	K.W.
1750	80	62	60.6	46.3	3.54	58.4	45.6	3.90	56.1	45.9	4.31	53.7	45.2	4.76	51.10	47.35	5.29	48.37	44.82	5.89
	80	67	66.0	38.3	3.59	63.6	38.0	3.96	61.0	38.5	4.36	58.4	37.8	4.82	55.56	37.26	5.35	52.57	34.81	5.95
	80	72	72.5	29.9	3.65	69.8	29.8	4.03	66.9	30.4	4.43	63.8	29.9	4.89	60.47	29.54	5.41	56.92	30.37	6.01
	75	62	60.3	38.8	3.54	58.1	38.5	3.90	55.8	38.8	4.30	53.3	38.0	4.76	50.80	35.41	5.29	48.02	37.85	5.89
2000	80	62	62.0	49.1	3.65	59.7	50.0	4.01	57.3	48.9	4.41	54.8	48.4	4.87	52.13	48.19	5.40	49.29	47.81	6.00
	80	67	67.4	40.5	3.70	65.0	41.8	4.07	62.2	40.7	4.47	59.4	40.4	4.93	56.51	40.44	5.45	53.42	40.51	6.05
	80	72	73.7	31.4	3.75	70.6	32.9	4.13	67.4	31.9	4.54	64.4	31.7	4.99	61.21	31.94	5.51	57.88	32.19	6.12
	75	62	61.6	41.1	3.64	59.4	42.1	4.01	56.9	41.1	4.41	54.4	40.6	4.87	51.65	40.57	5.40	48.82	40.49	5.99
2250	80	62	63.1	52.6	3.75	60.8	52.9	4.12	58.2	51.6	4.52	55.7	51.2	4.98	52.99	50.41	5.51	50.14	49.93	6.10
	80	67	68.6	43.4	3.81	65.9	43.9	4.17	63.2	42.9	4.58	60.3	42.8	5.03	57.25	42.58	5.55	54.05	42.86	6.16
	80	72	74.4	33.5	3.86	71.4	34.2	4.24	68.4	33.2	4.65	65.3	33.3	5.10	61.96	33.19	5.62	58.52	33.68	6.23
	75	62	62.7	43.9	3.75	60.3	44.3	4.11	57.8	43.2	4.51	55.2	43.1	4.97	52.39	42.71	5.50	49.39	42.45	6.09

COOLING EXPANDED RATINGS - AIR HANDLER

WSA2BE4M1SN18K with B6BMMX24K-A

O.D.T		65°F			75°F			85°F			95°F			105°F			115°F			
CFM	E.D.B.	E.W.B.	T.C.	S.C.	K.W.	T.C.	S.C.	K.W.	T.C.	S.C.	K.W.	T.C.	S.C.	K.W.	T.C.	S.C.	K.W.	T.C.	S.C.	K.W.
525	80	62	19.4	15.6	1.05	18.5	15.5	1.19	17.7	15.6	1.33	16.7	15.3	1.48	15.78	15.51	1.65	14.82	14.57	1.85
	80	67	21.2	12.7	1.05	20.2	12.6	1.19	19.3	12.7	1.33	18.2	12.5	1.49	17.04	13.24	1.67	15.89	11.54	1.86
	80	72	23.2	9.7	1.05	22.2	9.6	1.19	21.1	9.8	1.34	19.8	9.5	1.51	18.61	9.37	1.68	17.36	9.57	1.87
	75	62	19.3	12.9	1.05	18.5	12.8	1.19	17.6	12.9	1.33	16.6	12.6	1.48	15.63	11.44	1.65	14.47	12.38	1.85
600	80	62	19.9	17.0	1.08	19.0	17.3	1.21	18.1	16.9	1.35	17.3	16.3	1.51	16.36	15.80	1.68	15.38	15.25	1.88
	80	67	21.6	13.7	1.07	20.7	14.1	1.22	19.6	13.7	1.36	18.5	13.5	1.52	17.31	13.50	1.70	16.12	13.46	1.89
	80	72	23.7	10.3	1.07	22.6	10.7	1.22	21.4	10.4	1.37	20.1	10.2	1.54	18.90	10.28	1.71	17.60	10.31	1.90
	75	62	19.8	13.9	1.08	18.9	14.2	1.21	17.9	13.8	1.35	16.9	13.7	1.51	15.89	13.58	1.68	14.71	13.46	1.88
675	80	62	20.5	18.6	1.10	19.7	18.3	1.24	18.8	17.5	1.38	17.9	16.9	1.54	16.83	16.26	1.72	15.84	15.77	1.91
	80	67	22.1	14.9	1.10	21.0	15.0	1.24	19.9	14.7	1.39	18.8	14.6	1.55	17.51	14.43	1.73	16.30	14.45	1.91
	80	72	24.1	11.1	1.10	22.9	11.3	1.25	21.7	11.0	1.40	20.4	10.9	1.57	19.09	10.86	1.74	17.76	10.95	1.93
	75	62	20.3	15.2	1.10	19.3	15.3	1.24	18.3	14.9	1.38	17.3	14.8	1.53	16.18	14.62	1.71	14.98	14.55	1.91

WSA2BE4M1SN24K with B6BMMX24K-A

O.D.T		65°F			75°F			85°F			95°F			105°F			115°F			
CFM	E.D.B.	E.W.B.	T.C.	S.C.	K.W.	T.C.	S.C.	K.W.	T.C.	S.C.	K.W.	T.C.	S.C.	K.W.	T.C.	S.C.	K.W.	T.C.	S.C.	K.W.
700	80	62	25.5	20.7	1.36	24.5	20.5	1.53	23.4	20.6	1.70	22.3	20.2	1.90	21.07	20.72	2.12	19.94	19.60	2.38
	80	67	27.8	16.8	1.36	26.6	16.6	1.54	25.4	16.8	1.72	24.1	16.5	1.91	22.66	16.32	2.15	21.30	15.46	2.39
	80	72	30.4	12.8	1.37	29.1	12.7	1.55	27.8	13.0	1.74	26.3	12.7	1.95	24.83	12.49	2.17	23.35	12.82	2.42
	75	62	25.4	17.0	1.36	24.4	17.0	1.53	23.2	17.1	1.70	22.1	16.7	1.90	20.84	15.37	2.12	19.48	16.53	2.38
800	80	62	26.2	22.4	1.39	25.1	22.8	1.56	24.0	22.3	1.74	23.0	21.7	1.93	21.85	21.11	2.16	20.66	20.49	2.42
	80	67	28.3	18.0	1.40	27.1	18.6	1.57	25.8	18.1	1.75	24.5	18.0	1.95	23.06	17.91	2.18	21.64	17.90	2.43
	80	72	31.0	13.6	1.41	29.7	14.2	1.59	28.2	13.7	1.77	26.7	13.6	1.99	25.19	13.70	2.21	23.63	13.80	2.45
	75	62	25.9	18.4	1.39	24.8	18.8	1.56	23.7	18.3	1.73	22.5	18.1	1.93	21.23	18.02	2.15	19.83	17.91	2.41
900	80	62	26.8	24.3	1.42	25.8	24.1	1.59	24.8	23.1	1.77	23.7	22.5	1.97	22.46	21.70	2.21	21.26	21.17	2.45
	80	67	28.8	19.6	1.43	27.5	19.8	1.60	26.2	19.3	1.78	24.8	19.3	1.98	23.35	19.09	2.21	21.91	19.16	2.46
	80	72	31.5	14.7	1.44	30.1	15.0	1.61	28.6	14.5	1.81	27.0	14.5	2.02	25.41	14.47	2.24	23.81	14.67	2.48
	75	62	26.4	19.9	1.42	25.3	20.0	1.59	24.1	19.5	1.76	22.8	19.4	1.96	21.53	19.20	2.18	20.10	19.16	2.44

WSA2BE4M1SN30K with B6BMMX30K-A

O.D.T		65°F			75°F			85°F			95°F			105°F			115°F			
CFM	E.D.B.	E.W.B.	T.C.	S.C.	K.W.	T.C.	S.C.	K.W.	T.C.	S.C.	K.W.	T.C.	S.C.	K.W.	T.C.	S.C.	K.W.	T.C.	S.C.	K.W.
875	80	62	32.3	25.9	1.74	31.0	25.7	1.94	29.5	25.8	2.15	28.0	25.3	2.39	26.48	26.03	2.67	24.94	24.52	2.99
	80	67	34.9	20.9	1.76	33.3	20.8	1.96	31.8	21.0	2.17	30.1	20.6	2.41	28.40	20.29	2.68	26.53	19.28	3.01
	80	72	37.6	15.9	1.78	36.0	15.8	1.98	34.3	16.1	2.19	32.5	15.7	2.44	30.63	15.46	2.71	28.60	15.79	3.03
	75	62	32.2	21.5	1.74	30.8	21.2	1.93	29.4	21.4	2.15	27.9	20.9	2.39	26.24	19.18	2.67	24.49	20.67	2.99
1000	80	62	33.0	28.0	1.79	31.5	28.4	1.99	30.1	27.8	2.20	28.7	27.1	2.44	27.29	26.37	2.72	25.73	25.51	3.04
	80	67	35.5	22.5	1.81	33.9	23.1	2.01	32.2	22.5	2.22	30.5	22.3	2.46	28.75	22.27	2.74	26.82	22.22	3.06
	80	72	38.2	16.8	1.83	36.5	17.5	2.03	34.7	17.0	2.25	32.9	16.8	2.49	30.95	16.88	2.77	28.87	16.94	3.09
	75	62	32.8	23.0	1.79	31.3	23.5	1.99	29.9	22.9	2.20	28.3	22.6	2.44	26.61	22.50	2.71	24.81	22.36	3.04
1125	80	62	33.6	30.2	1.84	32.2	30.0	2.04	30.9	28.8	2.25	29.5	28.0	2.50	27.98	27.04	2.77	26.35	26.24	3.10
	80	67	35.9	24.3	1.86	34.2	24.6	2.06	32.6	24.0	2.27	30.8	23.9	2.51	29.00	23.72	2.79	27.04	23.77	3.11
	80	72	38.6	18.1	1.88	36.8	18.4	2.08	35.0	17.8	2.30	33.1	17.8	2.54	31.17	17.77	2.82	29.05	17.95	3.14
	75	62	33.2	24.8	1.84	31.7	24.9	2.04	30.2	24.3	2.25	28.6	24.2	2.49	26.89	23.93	2.76	25.07	23.87	3.09

WSA2BE4M1SN36K with B6BMMX36K-B

O.D.T		65°F			75°F			85°F			95°F			105°F			115°F			
CFM	E.D.B.	E.W.B.	T.C.	S.C.	K.W.	T.C.	S.C.	K.W.	T.C.	S.C.	K.W.	T.C.	S.C.	K.W.	T.C.	S.C.	K.W.	T.C.	S.C.	K.W.
1050	80	62	37.0	30.5	2.06	35.5	30.3	2.29	34.0	30.4	2.54	32.3	29.9	2.81	30.63	30.12	3.14	29.07	28.58	3.49
	80	67	40.3	24.8	2.07	38.6	24.6	2.30	36.8	24.8	2.55	34.9	24.4	2.83	32.98	24.05	3.14	30.96	22.88	3.50
	80	72	43.9	18.8	2.08	42.0	18.7	2.32	40.0	19.0	2.58	38.0	18.6	2.86	35.92	18.37	3.15	33.74	18.83	3.50
	75	62	36.9	25.2	2.06	35.3	25.0	2.29	33.7	25.1	2.54	32.0	24.6	2.81	30.16	22.72	3.14	28.29	24.42	3.49
1200	80	62	37.9	33.0	2.11	36.4	33.5	2.34	34.9	32.5	2.59	33.3	31.5	2.88	31.75	30.67	3.18	30.08	29.82	3.54
	80	67	41.0	26.6	2.12	39.3	27.4	2.35	37.4	26.7	2.60	35.4	26.4	2.88	33.47	26.48	3.19	31.39	26.48	3.55
	80	72	44.7	19.9	2.13	42.7	20.8	2.37	40.7	20.2	2.63	38.6	20.0	2.90	36.44	20.14	3.21	34.19	20.28	3.55
	75	62	37.6	27.1	2.11	36.0	27.6	2.34	34.3	27.0	2.58	32.5	26.6	2.87	30.66	26.57	3.18	28.74	26.47	3.54
1350	80	62	38.8	35.3	2.16	37.4	34.9	2.39	35.9	33.5	2.64	34.3	32.6	2.93	32.65	31.54	3.23	30.90	30.77	3.59
	80	67	41.6	28.9	2.17	39.8	29.2	2.40	37.8	28.5	2.66	35.9	28.4	2.93	33.84	28.25	3.24	31.73	28.37	3.59
	80	72	45.3	21.5	2.18	43.2	21.9	2.43	41.1	21.3	2.68	38.9	21.3	2.96	36.74	21.26	3.26	34.44	21.55	3.60
	75	62	38.2	29.2	2.16	36.5	29.5	2.39	34.8	28.8	2.64	32.9	28.6	2.92	31.05	28.30	3.23	29.11	28.28	3.59

COOLING EXPANDED RATINGS - AIR HANDLER (CONTINUED)

WSA2BE4M1SN42K with B6BMMX42K-B

CFM	O.D.T		65°F			75°F			85°F			95°F			105°F			115°F		
	E.D.B.	E.W.B.	T.C.	S.C.	K.W.	T.C.	S.C.	K.W.	T.C.	S.C.	K.W.	T.C.	S.C.	K.W.	T.C.	S.C.	K.W.	T.C.	S.C.	K.W.
1225	80	62	42.9	35.3	2.48	41.3	35.0	2.71	39.3	35.1	2.99	37.4	34.5	3.29	35.50	34.90	3.64	33.65	33.08	4.03
	80	67	46.7	28.7	2.50	44.7	28.5	2.74	42.6	28.8	3.01	40.3	28.2	3.31	38.05	27.84	3.65	35.72	26.54	4.04
	80	72	50.9	21.7	2.52	48.7	21.6	2.76	46.5	22.0	3.03	44.0	21.6	3.34	41.61	21.25	3.68	39.02	21.76	4.07
	75	62	42.7	29.2	2.48	40.9	28.9	2.71	38.9	29.1	2.98	36.9	28.5	3.29	34.84	26.23	3.64	32.66	28.17	4.02
1400	80	62	44.0	38.2	2.55	42.2	38.8	2.78	40.4	37.7	3.06	38.6	36.5	3.37	36.76	35.52	3.71	34.80	34.50	4.10
	80	67	47.5	30.9	2.56	45.3	31.7	2.81	43.3	30.9	3.08	41.0	30.6	3.38	38.67	30.58	3.72	36.20	30.53	4.11
	80	72	51.8	23.1	2.59	49.6	24.1	2.82	47.2	23.4	3.10	44.7	23.2	3.41	42.14	23.29	3.75	39.43	23.42	4.13
	75	62	43.5	31.3	2.54	41.7	32.0	2.78	39.6	31.2	3.06	37.6	30.8	3.36	35.41	30.65	3.70	33.17	30.51	4.09
1575	80	62	45.1	41.0	2.62	43.4	40.5	2.85	41.6	38.8	3.14	39.8	37.8	3.44	37.80	36.52	3.78	35.72	35.57	4.17
	80	67	48.2	33.5	2.63	46.0	33.8	2.88	43.8	33.0	3.14	41.5	32.8	3.45	39.11	32.59	3.79	36.62	32.69	4.18
	80	72	52.5	24.9	2.66	50.2	25.4	2.89	47.7	24.7	3.17	45.1	24.7	3.48	42.50	24.59	3.82	39.73	24.89	4.20
	75	62	44.2	33.8	2.61	42.3	34.1	2.85	40.2	33.2	3.12	38.1	33.0	3.43	35.86	32.63	3.77	33.65	32.60	4.16

WSA2BE4M1SN48K with B6BMMX48K-C

CFM	O.D.T		65°F			75°F			85°F			95°F			105°F			115°F		
	E.D.B.	E.W.B.	T.C.	S.C.	K.W.	T.C.	S.C.	K.W.	T.C.	S.C.	K.W.	T.C.	S.C.	K.W.	T.C.	S.C.	K.W.	T.C.	S.C.	K.W.
1400	80	62	47.6	38.2	2.72	45.7	37.9	3.01	43.8	38.1	3.31	41.8	37.4	3.67	39.76	39.03	4.06	37.62	36.93	4.49
	80	67	51.6	31.0	2.76	49.6	30.8	3.03	47.4	31.1	3.34	45.2	30.5	3.69	42.81	30.06	4.08	40.38	28.39	4.52
	80	72	57.0	23.9	2.79	54.8	23.8	3.06	52.3	24.3	3.37	49.8	23.8	3.72	47.11	23.53	4.11	44.31	24.17	4.55
	75	62	47.1	31.4	2.72	45.2	31.1	3.00	43.2	31.3	3.31	41.2	31.0	3.66	39.07	28.73	4.06	36.82	30.75	4.49
1600	80	62	48.8	41.2	2.80	46.9	41.8	3.08	45.0	40.9	3.39	42.9	40.4	3.74	41.09	39.70	4.14	39.06	38.73	4.58
	80	67	52.8	33.1	2.83	50.7	34.0	3.10	48.5	33.2	3.41	46.0	32.8	3.76	43.61	33.20	4.15	41.09	33.21	4.59
	80	72	58.2	25.3	2.86	55.7	26.5	3.13	53.1	25.7	3.44	50.4	25.5	3.79	47.43	25.68	4.18	44.63	25.81	4.61
	75	62	48.1	33.9	2.79	46.2	34.6	3.07	44.2	33.8	3.38	42.0	33.4	3.73	39.78	33.25	4.13	37.50	33.14	4.56
1800	80	62	49.9	44.4	2.87	48.0	44.5	3.15	46.3	43.1	3.46	44.4	42.1	3.82	42.32	40.89	4.21	40.18	40.01	4.65
	80	67	53.7	35.7	2.90	51.5	36.1	3.17	49.2	35.6	3.48	46.7	35.5	3.83	44.23	35.24	4.22	41.64	35.41	4.66
	80	72	58.9	27.2	2.93	56.1	27.8	3.20	53.4	27.0	3.51	50.8	27.0	3.86	48.03	26.85	4.25	45.17	27.16	4.68
	75	62	49.0	36.5	2.86	47.0	36.7	3.14	44.9	35.8	3.45	42.7	35.6	3.80	40.41	35.27	4.20	38.04	35.27	4.63

WSA2BE4M1SN60K with B6BMMX60K-C

CFM	O.D.T		65°F			75°F			85°F			95°F			105°F			115°F		
	E.D.B.	E.W.B.	T.C.	S.C.	K.W.	T.C.	S.C.	K.W.	T.C.	S.C.	K.W.	T.C.	S.C.	K.W.	T.C.	S.C.	K.W.	T.C.	S.C.	K.W.
1500	80	62	60.0	46.4	3.45	57.7	46.0	3.83	55.3	46.3	4.26	52.8	45.5	4.75	50.18	47.93	5.30	47.44	45.31	5.94
	80	67	65.2	37.9	3.50	62.6	37.6	3.89	60.1	38.2	4.32	57.3	37.6	4.80	54.33	37.09	5.36	51.31	34.87	5.98
	80	72	71.1	29.3	3.57	68.2	29.1	3.96	65.4	29.7	4.39	62.3	29.1	4.87	59.25	28.78	5.42	55.95	29.60	6.06
	75	62	59.8	38.7	3.45	57.5	38.4	3.83	55.0	38.7	4.26	52.4	38.0	4.74	49.76	35.34	5.30	46.96	37.86	5.93
1650	80	62	61.1	49.0	3.51	58.8	50.0	3.89	56.3	48.9	4.31	53.7	48.4	4.80	51.08	48.33	5.36	48.46	48.00	5.99
	80	67	66.3	40.0	3.56	63.6	41.2	3.95	60.9	40.2	4.37	58.0	39.8	4.85	55.04	39.97	5.41	51.86	40.08	6.03
	80	72	72.3	30.4	3.63	69.3	31.9	4.01	66.3	30.9	4.44	63.2	30.7	4.92	59.95	30.98	5.47	56.52	31.28	6.11
	75	62	60.8	40.7	3.50	58.4	41.7	3.88	55.8	40.7	4.31	53.2	40.2	4.80	50.51	40.21	5.35	47.62	40.15	5.98
1800	80	62	62.2	52.2	3.56	59.7	52.5	3.94	57.2	51.4	4.37	54.6	51.1	4.85	52.13	50.36	5.41	49.60	49.39	6.05
	80	67	67.2	42.6	3.61	64.4	43.1	3.99	61.6	42.1	4.42	58.6	42.0	4.90	55.56	41.84	5.46	52.37	42.14	6.09
	80	72	73.2	32.3	3.67	70.2	33.0	4.07	67.1	32.1	4.50	63.8	32.2	4.98	60.50	32.16	5.52	57.02	32.71	6.16
	75	62	61.6	43.2	3.55	59.2	43.6	3.94	56.6	42.5	4.36	53.9	42.4	4.85	51.12	42.06	5.40	48.17	42.19	6.03



For current Energy Star Information please refer to www.energystar.gov



GENERAL TERMS OF LIMITED WARRANTY

Nortek Global HVAC, LLC will furnish a replacement for any part of this product which fails in normal use and service within the terms and conditions of the warranty.

For complete details of the Limited Warranty, including applicable terms and conditions, see your local installer or contact the Nortek Global HVAC, LLC warranty department for a copy.

Before purchasing this appliance, read important energy cost and efficiency information available from your retailer. Specifications and illustrations subject to change without notice and without incurring obligations. Printed in U.S.A (04/2019)