

Q6SE Series

Single Packaged Heat Pump, Single Phase

Q6SE-14 SEER, 8.0 HSPF
2 - 5 Ton Units

Cooling: 23,000 to 58,000 Btuh
Heating: 22,800 to 59,000 Btuh

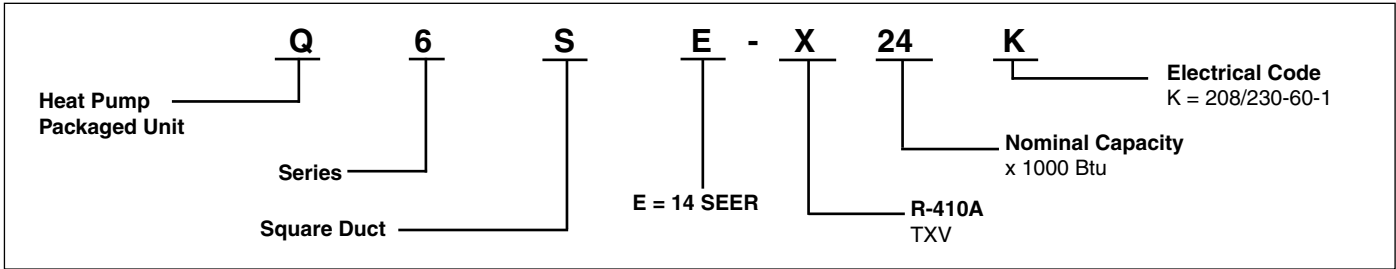
The Q6 Series single packaged heat pumps are high efficiency self contained cooling and heating units that can be installed on a roof or on a slab. The convertible unit design makes installations simple in all applications. Units are ETL and ETLc listed.



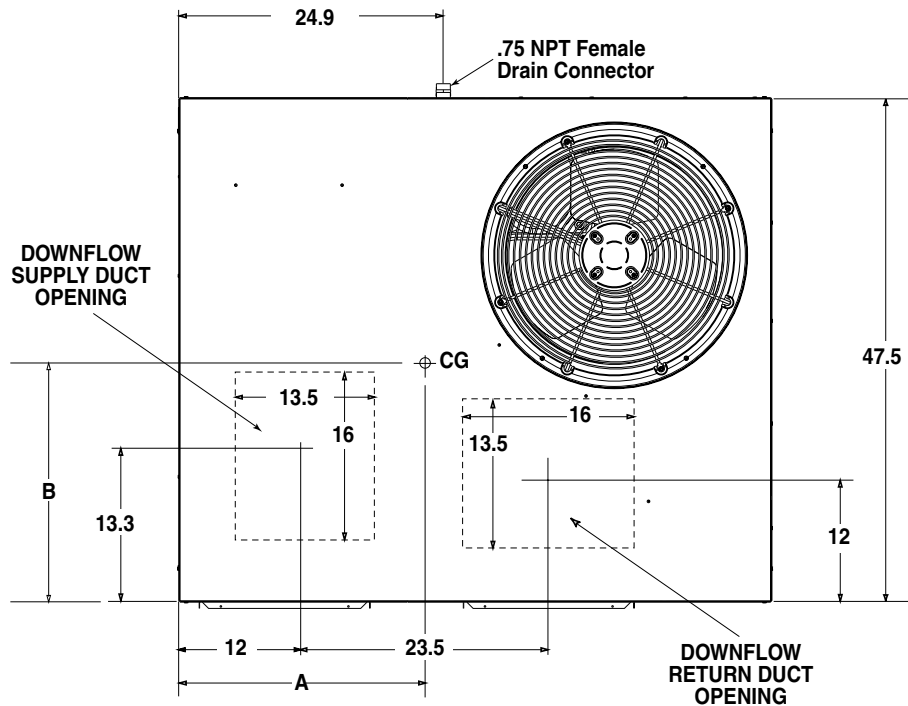
FEATURES and BENEFITS

- **Copeland Compressor:** State of the art scroll compressor is standard equipment.
- **Quiet Operation and Low Vibration:** Swept-wing fan blade, on select models, combined with custom Venturi condenser fan.
- **Wire guard coated with Earth Friendly Epoxy and plastic mesh hail guard:** A guard that will never rust and protects the units coil from being damaged.
- **Copper Tube / Aluminum Fin Coils:** Both indoor and outdoor coils are designed to optimize heat transfer, minimize size and cost, and increase durability and reliability.
- **Designed using Galvanized Steel:** with a polyester urethane coat finish. The 950 hour salt spray finish is 1.5 mil thick and resists corrosion 50% better than comparable units.
- **Permanently Lubricated Condenser Motor:** A heavy duty PSC motor for long lasting reliability and quiet operation. Requires no maintenance and is completely protected from rain and snow.
- **Thermostatic Expansion Valves:** Factory installed externally equalized thermostatic expansion valves provides precise refrigerant control under varying load conditions.
- **Hi and Low Pressure Switches:** Ensure long compressor life.
- **Externally Accessible Service Ports:** Quick access to refrigeration system.
- **Liquid Line Filter Drier:** Factory installed at a convenient location for service.
- **Suction Accumulator:** Protection from liquid flood back and future compressor failures.
- **Low voltage Transformer:** Includes 3 Amp fuse to protect low voltage circuit.
- **Corrosion-Resistant Drain Pan:** Quickly drains away evaporator condensate.
- **Energy Efficient:** Brushless DC (ECM) Blower Motor.
- **Demand Defrost Standard:** Provides additional energy savings in heating by defrosting only when necessary.
- **Five Minute Restart Time Delay:** When the unit shuts down, a 5 minute delay keeps the unit from restarting, eliminating the highest cause for compressor failure.
- **Heavy-Gauge, Full Perimeter Base Rails:** Facilitates forklift handling and curb mounting.
- **Convertible Air Delivery:** Horizontal or downflow to accommodate rooftop or horizontal applications.
- **Easy Compressor and Control Access:** Designed to make servicing easier for the contractor, access panels are provided to all controls and the compressor from the side of the unit.
- **Easy access:** to the evaporator coil for cleaning and general maintenance.
- **Removable Top Grille Assembly:** Allows ease of service to the fan motor.
- **Duct Flanges:** reduce installation costs.
- **Optional Electric Heat:** Field installed 5 – 20 KW.
- **Proven, Industry Standard Components:** Easier service and availability.

MODEL IDENTIFICATION CODE



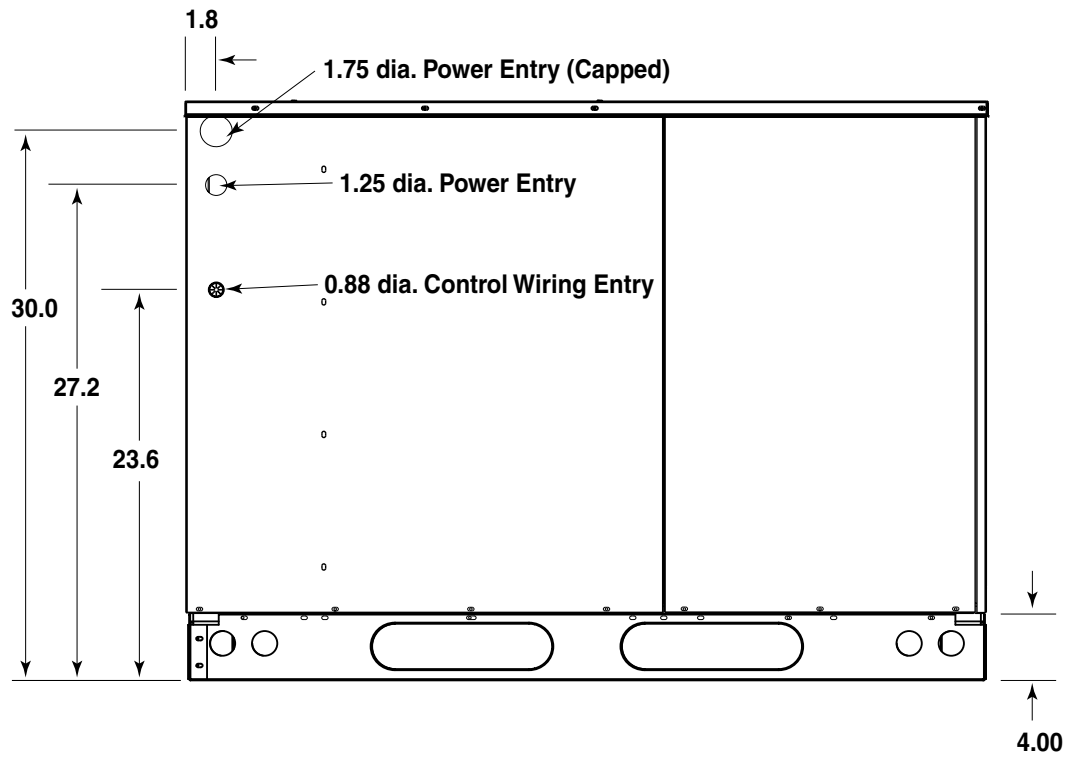
DIMENSIONS (in inches)



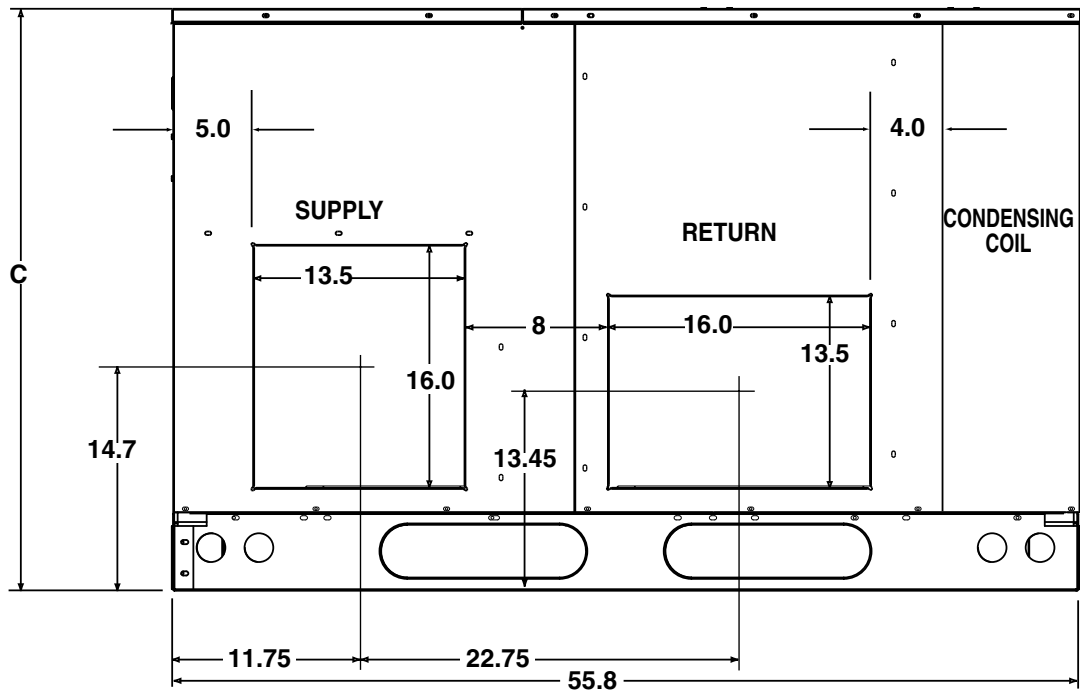
Top View

Model Number Q6SE	Unit Weight (lbs)	Shipping Weight (lbs)	Center of Gravity		Height (in inches)	
			A	B	C	
					with base rails	without base rails
X24	400	413	28.0	25.5	39.0	35.3
X30	400	413	28.0	26.0	39.0	35.3
X36	400	413	28.0	25.5	39.0	35.3
X42	507	520	29.5	26.0	43.0	39.3
X48	507	520	29.5	26.0	43.0	39.3
X60	508	521	29.5	26.0	43.0	39.3

DIMENSIONS (Continued)



Side View



Back (Duct) View

SPECIFICATIONS

Model Number	Q6SE					
	X24	X30	X36	X42	X48	X60
Performance						
Capacity-Heating BTUH	22,000	26,800	33,200	42,000	45,500	59,000
Efficiency-HSPF	8.0	8.0	8.0	8.0	8.0	8.0
Capacity-Cooling BTUH	23,000	28,000	34,800	42,000	48,000	58,500
Efficiency-Seer	14.0	14.0	14.0	14.0	14.0	14.0
EER (Btuh/watt)	11.0	11.0	11.0	11.0	11.0	11.0
Electric Rating-60 Hz						
Phase	1	1	1	1	1	1
Operating Voltage Range	187-253	187-253	187-253	187-253	187-253	187-253
Min. Circuit Ampacity	22.7	24.4	28.5	32.9	37.2	43.5
Field Wire Size - AWG	10	10	10	8	8	6
Total Unit - Amps	19.1	20.5	23.9	27.4	31.2	36.2
Compressor Data						
Volts	208-230	208-230	208-230	208-230	208-230	208-230
Rated Load Amps	14.3	15.7	18.6	22.1	24.3	29.3
Lock Rotor Amps	58.3	73	79	109	117	134
Indoor Blower						
Type	Fixed Torque	Fixed Torque	Fixed Torque	Fixed Torque	Fixed Torque	Fixed Torque
Motor HP	1/2	1/2	1/2	1/2	3/4	3/4
Motor - Amps	3.8	3.8	3.8	3.8	5.4	5.4
Outdoor Fan						
Motor - HP / RPM	1/5 - 825	1/5 - 825	1/4 - 1100	1/4 - 1100	1/4 - 1100	1/4 - 1100
Motor - Amps	1.0	1.0	1.46	1.46	1.46	1.46
Fan Diameter / CFM	20 / 3600	20 / 3600	24 / 3800	20 / 3800	24 / 3800	24 / 4000
R-410A Charge - Oz	128	126.4	115	232	272	243
Net Weight lbs.	400	400	400	507	507	508
Shipping Weight lbs.	413	413	413	520	520	521
Sound Rating	73	73	78	78	78	78

ELECTRICAL DATA

Model Number	Heater kw	Multiple Supply Circuit Option																							
		Single Circuit						Circuit A (Compressor, Blower & Fan)						Circuit B (Heater Only)						Circuit C (Heater Only)					
		MCA	60	75	Rec, Wire Gage (90°C Cu)	MOP	MCA	60	75	Rec, Wire Gage (90°C Cu)	MOP	MCA	60	75	Rec, Wire Gage (90°C Cu)	MOP	MCA	60	75	Rec, Wire Gage (90°C Cu)	MOP				
Q6SE-X24K	0	22.7	10	10	8	35	-	-	-	-	-	-	-	-	-	-	-	-	-	-	-	-			
	5	47.7	6	8	8	50	22.7	-	10	35	25	-	-	10	30	-	-	-	-	-	-	-			
	8	62.3	4	6	6	70	22.7	10	10	35	39.6	6	8	8	40	-	-	-	-	-	-	-			
	10	72.7	3	4	6	80	22.7	10	10	35	50	6	6	8	60	-	-	-	-	-	-	-			
	15	97.7	1	3	3	100	22.7	10	10	35	75	6	6	6	80	-	-	-	-	-	-	-			
Q6SE-X30K	15(3cir)	97.7	1	3	3	100	22.7	10	10	35	50	6	6	8	60	25.0	10	10	10	10	30	-			
	0	24.4	10	10	10	40	-	-	-	-	-	-	-	-	-	-	-	-	-	-	-	-			
	5	49.4	6	8	8	60	24.4	-	10	40	25	-	-	10	30	-	-	-	-	-	-	-			
	8	64	4	6	6	70	24.4	10	10	40	39.6	6	8	8	40	-	-	-	-	-	-	-			
	10	74.4	3	4	6	80	24.4	10	10	40	50	6	6	8	60	-	-	-	-	-	-	-			
Q6SE-X36K	15	99.4	1	3	3	100	24.4	10	10	40	74.4	6	6	6	80	-	-	-	-	-	-	-			
	15(3cir)	99.4	1	3	3	100	24.4	10	10	40	50	6	6	8	60	25.0	10	10	10	10	30	-			
	0	28.5	10	10	10	45	-	-	-	-	-	-	-	-	-	-	-	-	-	-	-	-			
	5	53.5	6	6	8	60	28.5	10	10	45	25	10	10	10	30	-	-	-	-	-	-	-			
	8	68.1	4	4	6	70	28.5	10	10	45	39.6	6	8	8	40	-	-	-	-	-	-	-			
Q6SE-X42K	10	82.9	3	4	4	90	28.5	10	10	45	50	6	6	8	60	-	-	-	-	-	-	-			
	15	107.9	1	2	3	110	28.5	10	10	45	75	6	6	6	80	-	-	-	-	-	-	-			
	15(3cir)	103.5	1	2	3	110	28.5	10	10	45	50	6	6	8	60	25.0	10	10	10	10	30	-			
	20	132.9	00	0	1	150	32.9	8	8	50	100	6	6	3	110	-	-	-	-	-	-	-			
	20(3cir)	132.9	00	0	1	150	32.9	8	8	50	50	6	6	8	60	50.0	6	8	8	8	60	-			
Q6SE-X48K	0	37.2	8	8	8	60	-	-	-	-	-	-	-	-	-	-	-	-	-	-	-	-			
	5	62.2	4	6	6	80	37.2	8	8	60	25.0	10	10	10	30	-	-	-	-	-	-	-			
	8	76.8	3	4	4	90	37.2	8	8	60	39.6	6	8	8	40	-	-	-	-	-	-	-			
	10	87.2	2	3	4	100	37.2	8	8	60	50.0	6	6	8	60	-	-	-	-	-	-	-			
	15	112.2	0	2	2	125	37.2	8	8	60	75.0	6	6	6	80	-	-	-	-	-	-	-			
Q6SE-X60K	15(3cir)	112.2	0	2	2	125	37.2	8	8	60	50.0	6	6	8	60	25.0	10	10	10	10	30	-			
	20	137.2	00	0	1	150	37.2	8	8	60	100.0	6	6	3	110	-	-	-	-	-	-	-			
	20(3cir)	137.2	00	0	1	150	37.2	8	8	60	50.0	6	6	8	60	50.0	6	8	8	8	60	-			
	0	43.5	6	8	8	70	-	-	-	-	-	-	-	-	-	-	-	-	-	-	-	-			
	5	68.5	4	4	6	90	43.5	6	8	70	25.0	10	10	10	30	-	-	-	-	-	-	-			
Q6SE-X60K	8	83.1	3	4	4	100	43.5	6	8	70	39.6	6	8	8	40	-	-	-	-	-	-	-			
	10	93.5	2	3	4	110	43.5	6	8	70	50.0	6	6	8	60	-	-	-	-	-	-	-			
	15	118.5	0	1	2	125	43.5	6	8	70	75.0	6	6	6	80	-	-	-	-	-	-	-			
	15(3cir)	118.5	0	1	2	125	43.5	6	8	70	50.0	6	6	8	60	25.0	10	10	10	10	30	-			
	20	143.5	00	0	1	150	43.5	6	8	70	100.0	6	6	3	110	-	-	-	-	-	-	-			
20(3cir)	143.5	00	0	1	150	43.5	6	8	70	50.0	6	6	8	60	50.0	6	8	8	8	60	-				

*If electric heat is installed, and the overcurrent rating exceeds 60A, internal circuit breakers must be installed in addition to branch circuit protection at the distribution panel.

BLOWER PERFORMANCE

Model number		External Static Pressure Drop - inches water column															
Q6SE		0.1		0.2		0.3		0.4		0.5		0.6		0.7		0.8	
X24	* Tap T1	823	38.39	784	40.30	712	44.37	646	48.91	580	54.47	510	61.95	436	72.46	-	-
	* Tap T2	969	32.60	924	34.19	866	36.48	800	39.49	717	44.06	652	48.46	591	53.46	522	60.52
	** Tap T3	1068	29.58	1010	31.28	947	33.36	906	34.87	814	38.81	743	42.52	674	46.88	617	51.21
	** Tap T4	1188	26.59	1142	27.67	1068	29.58	1022	30.91	954	33.12	861	36.69	803	39.34	763	41.41
	** Tap T5	1330	23.75	1274	24.80	1221	25.88	1164	27.14	1105	28.59	1044	30.26	957	33.01	881	35.86
X30	* Tap T1	890	35.50	832	37.97	766	41.25	687	45.99	624	50.63	576	54.85	502	62.94	419	75.40
	* Tap T2	969	32.60	924	34.19	866	36.48	800	39.49	717	44.06	652	48.46	591	53.46	522	60.52
	** Tap T3	1188	26.59	1142	27.67	1068	29.58	1022	30.91	954	33.12	861	36.69	803	39.34	763	41.41
	** Tap T4	1382	22.86	1334	23.68	1273	24.82	1220	25.90	1164	27.14	1097	28.80	1020	30.97	947	33.36
	** Tap T5	1640	19.26	1604	19.70	1547	20.42	1490	21.20	1437	21.99	1381	22.88	1324	23.86	1249	25.30
X36	** Tap T1	1137	27.79	1075	29.39	1012	31.22	950	33.26	863	36.61	770	41.03	694	45.52	619	51.04
	** Tap T2	1242	25.44	1187	26.62	1128	28.01	1057	29.89	993	31.82	921	34.30	827	38.20	754	41.90
	* Tap T3	1418	22.28	1370	23.06	1308	24.15	1251	25.25	1204	26.24	1123	28.13	1064	29.69	974	32.44
	* Tap T4	1567	20.16	1515	20.85	1459	21.65	1397	22.62	1338	23.61	1272	24.84	1184	26.68	1107	28.54
	* Tap T5	1700	18.58	1658	19.06	1596	19.80	1534	20.60	1481	21.33	1421	22.23	1358	23.27	1279	24.70
X42	** Tap T1	1257	25.13	1199	26.35	1133	27.89	1070	29.53	982	32.17	906	34.87	830	38.06	761	41.52
	* Tap T2	1374	22.99	1332	23.72	1270	24.88	1220	25.90	1153	27.40	1077	29.34	972	32.50	901	35.07
	* Tap T3	1574	20.07	1520	20.79	1470	21.49	1418	22.28	1356	23.30	1295	24.40	1214	26.02	1095	28.85
	* Tap T4	1733	18.23	1678	18.83	1637	19.30	1575	20.06	1528	20.68	1467	21.54	1408	22.44	1334	23.68
	* Tap T5	1848	17.10	1795	17.60	1741	18.15	1708	18.50	1641	19.25	1593	19.83	1541	20.50	1477	21.39
X48	** Tap T1	952	33.19	901	35.07	864	36.57	728	43.40	672	47.01	583	54.19	508	62.19	-	-
	** Tap T2	1646	19.19	1593	19.83	1520	20.79	1476	21.41	1417	22.30	1349	23.42	1265	24.98	1198	26.37
	* Tap T3	1764	17.91	1705	18.53	1626	19.43	1570	20.12	1525	20.72	1451	21.77	1403	22.52	1304	24.23
	* Tap T4	1962	16.10	1916	16.49	1838	17.19	1787	17.68	1720	18.37	1670	18.92	1595	19.81	1537	20.56
	* Tap T5	2391	13.21	2334	13.54	2301	13.73	2242	14.09	2180	14.49	2132	14.82	2074	15.23	2017	15.66
X60	** Tap T1	1088	29.04	1032	30.61	958	32.98	878	35.98	789	40.04	715	44.19	641	49.29	570	55.43
	** Tap T2	1764	17.91	1705	18.53	1626	19.43	1570	20.12	1525	20.72	1451	21.77	1403	22.52	1304	24.23
	* Tap T3	1962	16.10	1916	16.49	1838	17.19	1787	17.68	1720	18.37	1670	18.92	1595	19.81	1537	20.56
	* Tap T4	2106	15.00	2059	15.34	2000	15.80	1944	16.25	1878	16.82	1828	17.28	1751	18.04	1689	18.71
	* Tap T5	2391	13.21	2334	13.54	2301	13.73	2242	14.09	2180	14.49	2132	14.82	2074	15.23	2017	15.66

* Denotes factory set cooling speed

** Denotes factory set electric heating speed

NOTE: Airflow performance is with a dry coil

HEATER APPLICATION MATRIX

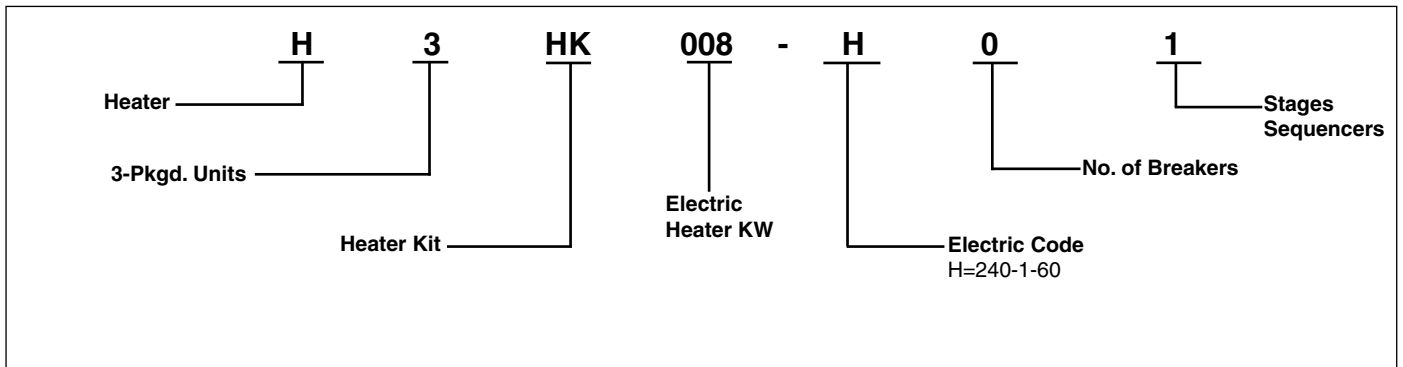
Model Number	H3HK-005H-01C	H3HK-008H-01C	H3HK-010H-01C	H3HK-015H-01C	H3HK-020H-01C	H3HK-015H-21C	H3HK-020H-21C
	917166C	917167C	917168C	917169C	917170C	917172C	917173C
Q6SE-X24	X	X(2)	X(2)	X(2)	NA	X	NA
Q6SE-X30	X	X(2)	X(2)	X(2)	NA	X	NA
Q6SE-X36	X	X(2)	X(2)	X(2)	NA	X	NA
Q6SE-X42	X	X(2)	X(2)	X(3)	X(3)	X(1)	X(1)
Q6SE-X48	X(2)	X(2)	X(2)	X(3)	X(3)	X(1)	X(1)
Q6SE-X60	X(2)	X(2)	X(2)	X(3)	X(3)	X(1)	X(1)

NA = Not Applicable.

() = Number of internal circuit breaker kits required.

X = Branch circuit protection only

MODEL IDENTIFICATION CODE



Q6SE ACCESSORIES

Description	Part Number
Roof Curb (8")	547830
Roof Curb (14")	547831
Roof Curb (18")	547850
Roof Curb (24")	547851
Supply/return transition, 16"	547834
Supply/return transition, 18"	547835
Concentric diffuser, flush, 16"	547836
Concentric diffuser, flush, 18"	547837
Concentric diffuser, step down 16"	547838
Concentric diffuser, step down 18"	547839
Manual Fresh Air Damper	547832
Motorized Fresh Air Damper	547840
Economizer, downflow, modulating w/filter (does not require filter kit), CA title 24	563209
Economizer, horizontal, modulating, CA title 24	562534
Power Exhaust for use with downflow economizer 208-230/1/60	547842
Power Exhaust for use with horizontal economizer 208-230/1/60	547843
Power Exhaust for use with downflow economizer (208/230 3 Phase)	555578
Power Exhaust, for use with horizontal economizer (208/230 3 Phase)	555580
Power Exhaust, for use with downflow economizer (460V 3 Phase)	555579
Power Exhaust, for use with horizontal economizer (460V 3 Phase)	555581
Hood Type Hail Guard 34" X 76" Q6SE-X24, Q6SE-X30, Q6SE-X36	547846
Hood Type Hail Guard 38" X 76" Q6SE-X42, Q6SE-X48, Q6SE-X60	547847
Duct Smoke Detector Photo Elec	558863
Multi Signal Control	558866
Sampling Tube 2 - 4 ft.	558864
Sampling Tube 4 - 8 ft.	558865
Filter Rack, All Downflow Applications (not required with downflow economizer)	547885
Filter Kit (not required with downflow economizer) Q6SE-X24, Q6SE-X30, Q6SE-X36	547888
Filter Kit (not required with downflow economizer) Q6SE-X42, Q6SE-X48, Q6SE-X60	547889
Universal Hard Start Kit	912933
Low Ambient Kit	918837
Outdoor Thermostat Kit	913852
Skirt Trim Kit	919729
Heater Kit - 4-Pole Single Circuit Adaptor	913350
Heater Kit - 6-Pole Single Circuit Adaptor	913556
Heater Kit - Circuit Breaker Single Phase (2-Pole)	913554
Freezestat Kit	917108
Duct Adapter 12" Round (2 each)	913811A
Duct Adapter 14" Round (2 each)	913812A
Control, CO2 Sensor, Wall Mount	920317
Control, CO2 Sensor, Duct Mount	920318
Differential Enthalpy Kit	922431

EXPANDED RATINGS

COOLING

Q6SE-X24K

O.D.T			65°F			75°F			95°F			105°F			115°F		
CFM	E.D.B.	E.W.B.	T.C.	S.C.	K.W.	T.C.	S.C.	K.W.	T.C.	S.C.	K.W.	T.C.	S.C.	K.W.	T.C.	S.C.	K.W.
700	80	62	24.8	21.5	1.84	23.0	20.4	1.84	21.1	19.2	1.84	19.3	18.1	1.84	17.4	17.0	1.84
	80	67	27.4	19.1	1.84	25.5	18.0	1.84	23.7	16.9	1.84	21.8	15.8	1.84	19.9	14.6	1.84
	80	72	29.9	15.1	1.84	28.0	13.9	1.84	26.2	12.8	1.84	24.3	11.7	1.84	22.4	10.5	1.84
	75	63	25.5	18.3	1.84	23.6	17.2	1.84	21.8	16.1	1.84	19.9	14.9	1.84	18.0	13.8	1.84
850	80	62	25.9	23.6	1.88	24.1	22.5	1.88	22.2	21.4	1.88	20.4	20.2	1.88	18.5	18.5*	1.88
	80	67	28.5	21.2	1.88	26.6	20.1	1.88	24.8	19.0	1.88	22.9	17.9	1.88	21.0	16.7	1.88
	80	72	31.0	17.2	1.88	29.1	16.1	1.88	27.3	14.9	1.88	25.4	13.8	1.88	23.5	12.7	1.88
	75	63	26.5	20.4	1.88	24.7	19.3	1.88	22.9	18.2	1.88	21.0	17.0	1.88	19.1	15.9	1.88
1000	80	62	28.2	25.5	1.93	26.4	24.4	1.93	24.5	23.3	1.93	22.6	22.1	1.93	20.7	20.7*	1.93
	80	67	30.7	23.1	1.93	28.9	22.0	1.93	27.1	20.9	1.93	25.2	19.8	1.93	23.3	18.6	1.93
	80	72	33.2	19.1	1.93	31.4	18.0	1.93	29.6	16.8	1.93	27.7	15.7	1.93	25.8	14.6	1.93
	75	63	28.8	22.3	1.93	27.0	21.2	1.93	25.2	20.1	1.93	23.3	18.9	1.93	21.4	17.8	1.93

Q6SE-X30K

O.D.T			65°F			75°F			95°F			105°F			115°F		
CFM	E.D.B.	E.W.B.	T.C.	S.C.	K.W.	T.C.	S.C.	K.W.	T.C.	S.C.	K.W.	T.C.	S.C.	K.W.	T.C.	S.C.	K.W.
900	80	62	30.4	26.5	1.75	28.6	25.2	1.91	24.4	22.9	2.35	22.1	21.9	2.63	19.6	19.6	2.95
	80	67	34.3	23.7	1.75	32.5	22.4	1.92	28.4	20.1	2.36	26.0	19.1	2.64	23.5	18.1	2.95
	80	72	36.1	18.8	1.76	34.3	17.5	1.92	30.1	15.2	2.36	27.8	14.2	2.64	25.3	13.2	2.96
	75	63	30.6	22.3	1.73	28.8	21.1	1.90	24.7	18.8	2.34	22.4	17.7	2.61	19.9	16.8	2.93
1050	80	62	30.6	28.4	1.77	28.8	27.1	1.94	24.6	24.6*	2.38	22.3	22.3	2.65	19.8	19.8	2.97
	80	67	34.5	25.6	1.78	32.7	24.3	1.94	28.6	22.0	2.38	26.2	21.0	2.66	23.7	20.0	2.98
	80	72	36.3	20.7	1.79	34.5	19.4	1.95	30.4	17.1	2.39	28.0	16.1	2.67	25.5	15.1	2.99
	75	63	30.8	24.2	1.76	29.0	23.0	1.92	24.9	20.7	2.36	22.6	19.6	2.64	20.1	18.7	2.96
1200	80	62	32.4	29.8	1.78	30.6	28.6	1.94	26.5	26.3	2.38	24.2	24.2	2.66	21.7	21.7	2.98
	80	67	36.4	27.0	1.78	34.6	25.8	1.95	30.4	23.5	2.39	28.1	22.4	2.66	25.6	21.5	2.98
	80	72	38.2	22.1	1.79	36.4	20.9	1.95	32.2	18.6	2.39	29.9	17.5	2.67	27.4	16.5	2.99
	75	63	32.7	25.7	1.76	30.9	24.4	1.92	26.8	22.1	2.37	24.4	21.1	2.64	21.9	20.1	2.96

Q6SE-X36K

O.D.T			65°F			75°F			95°F			105°F			115°F		
CFM	E.D.B.	E.W.B.	T.C.	S.C.	K.W.	T.C.	S.C.	K.W.	T.C.	S.C.	K.W.	T.C.	S.C.	K.W.	T.C.	S.C.	K.W.
1100	80	62	36.4	31.8	2.09	35.5	31.1	2.29	31.5	28.8	2.85	28.6	27.4	3.20	25.0	25.0	3.60
	80	67	37.9	26.5	2.10	36.8	25.8	2.30	32.7	23.8	2.86	29.7	22.4	3.21	26.0	20.9	3.61
	80	72	41.2	21.0	2.11	40.0	20.4	2.32	35.6	18.5	2.87	32.4	17.2	3.22	28.6	15.8	3.62
	75	63	34.6	25.0	2.08	34.0	24.7	2.29	30.9	23.3	2.84	28.3	22.3	3.19	25.1	21.0	3.59
1250	80	62	38.0	34.8	2.12	37.0	34.0	2.33	33.1	31.7	2.88	30.2	30.2	3.23	26.6	26.6	3.63
	80	67	39.5	29.5	2.14	38.4	28.7	2.34	34.3	26.7	2.89	31.2	25.4	3.24	27.5	23.8	3.64
	80	72	42.8	23.9	2.15	41.6	23.3	2.35	37.2	21.4	2.90	34.0	20.2	3.25	30.2	18.7	3.65
	75	63	36.2	27.9	2.12	35.6	27.6	2.32	32.4	26.2	2.87	29.9	25.2	3.22	26.7	24.0	3.62
1400	80	62	38.1	34.6	2.17	37.1	33.8	2.37	33.2	31.5	2.92	30.3	30.1	3.28	26.7	26.7	3.68
	80	67	39.6	29.3	2.18	38.5	28.6	2.38	34.4	26.5	2.94	31.3	25.2	3.29	27.6	23.6	3.69
	80	72	42.8	23.7	2.19	41.6	23.1	2.39	37.3	21.2	2.95	34.1	20.0	3.30	30.3	18.5	3.70
	75	63	36.2	27.7	2.16	35.6	27.4	2.36	32.5	26.0	2.92	30.0	25.0	3.27	26.8	23.8	3.67

EXPANDED RATINGS Continued

COOLING

Q6SE-X42K

O.D.T			65°F			75°F			95°F			105°F			115°F		
CFM	E.D.B.	E.W.B.	T.C.	S.C.	K.W.	T.C.	S.C.	K.W.	T.C.	S.C.	K.W.	T.C.	S.C.	K.W.	T.C.	S.C.	K.W.
1250	80	62	45.2	39.1	2.45	44.0	38.8	2.81	39.7	36.7	3.52	36.7	34.9	3.88	33.1	32.6	4.23
	80	67	47.7	32.2	2.42	45.8	31.8	2.78	40.2	29.7	3.49	36.5	27.9	3.85	32.2	25.6	4.20
	80	72	54.5	25.0	2.39	51.9	24.6	2.75	44.9	22.5	3.46	40.6	20.7	3.82	35.6	18.4	4.17
	75	63	44.2	32.0	2.42	42.8	31.6	2.77	38.2	29.5	3.49	35.1	27.7	3.84	31.3	25.4	4.20
1400	80	62	48.8	41.6	2.54	47.5	41.3	2.90	43.2	39.2	3.61	40.2	37.4	3.97	36.6	35.1	4.32
	80	67	51.3	34.7	2.51	49.3	34.3	2.87	43.7	32.2	3.58	40.0	30.4	3.94	35.8	28.1	4.29
	80	72	58.0	27.5	2.48	55.4	27.2	2.83	48.4	25.0	3.55	44.1	23.2	3.90	39.1	20.9	4.26
	75	63	47.7	34.5	2.51	46.3	34.2	2.86	41.7	32.0	3.58	38.6	30.2	3.93	34.9	27.9	4.29
1550	80	62	46.6	41.4	2.63	45.4	41.1	2.99	41.1	39.0	3.70	38.1	37.2	4.06	34.5	34.5	4.41
	80	67	49.2	34.5	2.60	47.2	34.1	2.95	41.6	32.0	3.67	37.9	30.2	4.02	33.6	27.9	4.38
	80	72	55.9	27.3	2.57	53.3	27.0	2.92	46.3	24.8	3.64	42.0	23.0	3.99	37.0	20.7	4.35
	75	63	45.6	34.3	2.60	44.2	34.0	2.95	39.6	31.8	3.67	36.5	30.0	4.02	32.8	27.7	4.38

Q6SE-X48K

O.D.T			65°F			75°F			95°F			105°F			115°F		
CFM	E.D.B.	E.W.B.	T.C.	S.C.	K.W.	T.C.	S.C.	K.W.	T.C.	S.C.	K.W.	T.C.	S.C.	K.W.	T.C.	S.C.	K.W.
1350	80	62	53.8	46.1	2.75	50.0	44.1	3.21	42.5	40.3	4.12	38.7	38.4	4.57	35.0	35.0	5.03
	80	67	58.8	39.0	2.74	55.0	37.1	3.19	47.5	33.2	4.10	43.8	31.3	4.55	40.0	29.4	5.01
	80	72	63.8	31.9	2.72	60.1	30.0	3.17	52.6	26.1	4.08	48.8	24.2	4.53	45.1	22.3	4.99
	75	63	54.1	37.6	2.72	50.3	35.7	3.17	42.8	31.9	4.08	39.0	30.0	4.54	35.3	28.1	4.99
1500	80	62	54.7	47.9	2.81	51.0	46.0	3.27	43.5	42.2	4.18	39.7	39.7	4.63	36.0	36.0	5.08
	80	67	59.8	40.8	2.79	56.0	38.9	3.25	48.5	35.1	4.16	44.8	33.2	4.61	41.0	31.2	5.07
	80	72	64.8	33.7	2.77	61.1	31.8	3.23	53.6	28.0	4.14	49.8	26.1	4.59	46.0	24.2	5.05
	75	63	55.0	39.5	2.78	51.3	37.6	3.23	43.8	33.7	4.14	40.0	31.8	4.59	36.3	29.9	5.05
1650	80	62	55.7	49.7	2.87	52.0	47.8	3.32	44.4	44.0	4.23	40.7	40.7	4.69	36.9	36.9	5.14
	80	67	60.8	42.7	2.85	57.0	40.7	3.31	49.5	36.9	4.21	45.7	35.0	4.67	42.0	33.1	5.12
	80	72	65.8	35.6	2.83	62.1	33.7	3.29	54.5	29.8	4.20	50.8	27.9	4.65	47.0	26.0	5.10
	75	63	56.0	41.3	2.83	52.3	39.4	3.29	44.8	35.6	4.20	41.0	33.7	4.65	37.2	31.8	5.11

Q6SE-X60K

O.D.T			65°F			75°F			95°F			105°F			115°F		
CFM	E.D.B.	E.W.B.	T.C.	S.C.	K.W.	T.C.	S.C.	K.W.	T.C.	S.C.	K.W.	T.C.	S.C.	K.W.	T.C.	S.C.	K.W.
1500	80	62	64.8	53.6	3.43	60.6	51.4	3.92	52.1	47.0	4.90	47.9	44.9	5.38	43.6	42.7	5.87
	80	67	71.2	45.4	3.44	67.0	43.3	3.93	58.5	38.9	4.91	54.3	36.7	5.40	50.0	34.5	5.89
	80	72	77.6	37.3	3.46	73.4	35.1	3.95	64.9	30.8	4.93	60.7	28.6	5.41	56.5	26.4	5.90
	75	63	65.7	43.8	3.41	61.5	41.7	3.90	53.0	37.3	4.88	48.8	35.1	5.37	44.6	32.9	5.86
1650	80	62	65.5	55.5	3.53	61.3	53.3	4.02	52.8	49.0	4.99	48.6	46.8	5.48	44.3	44.3	5.97
	80	67	71.9	47.4	3.54	67.7	45.2	4.03	59.2	40.8	5.01	55.0	38.7	5.50	50.7	36.5	5.99
	80	72	78.3	39.2	3.56	74.1	37.1	4.05	65.6	32.7	5.02	61.4	30.5	5.51	57.2	28.4	6.00
	75	63	66.4	45.8	3.51	62.2	43.6	4.00	53.7	39.2	4.98	49.5	37.1	5.47	45.3	34.9	5.96
1800	80	62	66.2	57.5	3.63	62.0	55.3	4.11	53.5	50.9	5.09	49.3	48.7	5.58	45.0	45.0	6.07
	80	67	72.6	49.3	3.64	68.4	47.1	4.13	59.9	42.8	5.11	55.7	40.6	5.60	51.4	38.4	6.09
	80	72	79.0	41.2	3.66	74.8	39.0	4.14	66.3	34.7	5.12	62.1	32.5	5.61	57.9	30.3	6.10
	75	63	67.1	47.7	3.61	62.9	45.5	4.10	54.4	41.2	5.08	50.2	39.0	5.57	46.0	36.8	6.06

EXPANDED RATINGS

HEATING

Q6SE-X24K

		OUTDOOR TEMPERATURE (Deg. F)																				
SCFM	IDT	10			17			30			40			47			60			70		
		MBH	COP	kW	MBH	COP	kW	MBH	COP	kW	MBH	COP	kW	MBH	COP	kW	MBH	COP	kW	MBH	COP	kW
700	60	10.1	1.9	1.42	12.2	2.3	1.45	16.4	3.0	1.50	20.0	3.6	1.54	22.7	4.0	1.56	23.8	4.2	1.57	28.0	4.8	1.61
	70	9.1	1.6	1.66	11.2	1.9	1.69	15.4	2.6	1.74	19.0	3.1	1.78	21.7	3.5	1.81	22.9	3.7	1.82	27.0	4.2	1.86
	80	8.2	1.2	1.91	10.2	1.5	1.93	14.5	2.1	1.98	18.1	2.6	2.02	20.7	3.0	2.05	21.9	3.2	2.06	26.1	3.7	2.10
850	60	10.3	2.0	1.40	12.3	2.4	1.43	16.6	3.1	1.48	20.2	3.7	1.52	22.8	4.1	1.55	24.0	4.3	1.56	28.2	4.9	1.60
	70	9.3	1.7	1.65	11.4	2.0	1.67	15.6	2.7	1.72	19.2	3.2	1.76	21.9	3.6	1.79	23.1	3.8	1.80	27.2	4.3	1.84
	80	8.4	1.3	1.89	10.4	1.6	1.92	14.7	2.2	1.97	18.2	2.7	2.01	20.9	3.1	2.03	22.1	3.3	2.04	26.3	3.8	2.08
900	60	10.3	2.1	1.40	12.4	2.4	1.43	16.6	3.1	1.48	20.2	3.7	1.51	22.9	4.1	1.54	24.1	4.3	1.55	28.2	4.9	1.59
	70	9.4	1.7	1.64	11.4	2.0	1.67	15.7	2.7	1.72	19.3	3.2	1.76	21.9	3.6	1.78	23.1	3.8	1.80	27.3	4.4	1.83
	80	8.4	1.3	1.89	10.5	1.6	1.91	14.7	2.3	1.96	18.3	2.8	2.00	21.0	3.1	2.03	22.2	3.3	2.04	26.3	3.8	2.08

Q6SE-X30K

		OUTDOOR TEMPERATURE (Deg. F)																				
SCFM	IDT	10			17			30			40			47			60			70		
		MBH	COP	kW	MBH	COP	kW	MBH	COP	kW	MBH	COP	kW	MBH	COP	kW	MBH	COP	kW	MBH	COP	kW
900	60	12.2	2.0	1.64	15.0	2.4	1.70	20.5	3.1	1.81	24.8	3.6	1.89	27.9	4.0	1.95	33.9	4.6	2.06	38.7	5.0	2.14
	70	10.5	1.6	1.92	13.3	2.0	1.98	18.8	2.6	2.09	23.1	3.1	2.17	26.2	3.5	2.23	32.2	4.0	2.34	37.0	4.4	2.42
	80	8.8	1.1	2.20	11.7	1.5	2.26	17.1	2.1	2.37	21.4	2.6	2.45	24.5	2.9	2.51	30.5	3.5	2.62	35.3	3.8	2.71
1050	60	12.7	2.2	1.62	15.6	2.6	1.68	21.0	3.3	1.79	25.3	3.8	1.87	28.5	4.1	1.93	34.4	4.7	2.04	39.2	5.1	2.12
	70	11.0	1.7	1.90	13.9	2.1	1.96	19.3	2.8	2.07	23.6	3.3	2.15	26.8	3.6	2.21	32.7	4.1	2.32	37.5	4.5	2.40
	80	9.3	1.2	2.18	12.2	1.6	2.24	17.6	2.3	2.35	21.9	2.7	2.43	25.1	3.0	2.49	31.0	3.6	2.60	35.8	4.0	2.68
1200	60	13.2	2.3	1.59	16.1	2.7	1.65	21.5	3.4	1.76	25.8	3.9	1.85	29.0	4.3	1.91	34.9	4.8	2.02	39.7	5.3	2.10
	70	11.5	1.9	1.88	14.4	2.2	1.93	19.8	2.9	2.04	24.1	3.4	2.13	27.3	3.7	2.19	33.2	4.3	2.30	38.0	4.7	2.38
	80	9.8	1.4	2.16	12.7	1.8	2.22	18.1	2.4	2.33	22.4	2.9	2.41	25.6	3.2	2.47	31.5	3.7	2.58	36.3	4.1	2.66

Q6SE-X36K

		OUTDOOR TEMPERATURE (Deg. F)																				
SCFM	IDT	10			17			30			40			47			60			70		
		MBH	COP	kW	MBH	COP	kW	MBH	COP	kW	MBH	COP	kW	MBH	COP	kW	MBH	COP	kW	MBH	COP	kW
1100	60	15.1	2.1	1.97	18.8	2.5	2.04	25.5	3.3	2.17	30.5	3.8	2.27	34.0	4.1	2.35	40.5	4.6	2.48	45.4	5.0	2.58
	70	13.4	1.7	2.25	17.1	2.1	2.32	23.8	2.8	2.45	28.8	3.3	2.56	32.3	3.6	2.63	38.8	4.1	2.76	43.7	4.4	2.86
	80	11.7	1.3	2.53	15.4	1.7	2.60	22.1	2.3	2.74	27.1	2.8	2.84	30.6	3.1	2.91	37.1	3.5	3.04	42.0	3.8	3.14
1250	60	15.4	2.2	1.99	19.0	2.6	2.06	25.7	3.3	2.20	30.8	3.8	2.30	34.3	4.2	2.37	40.7	4.7	2.50	45.6	5.1	2.60
	70	13.7	1.8	2.27	17.3	2.2	2.35	24.0	2.9	2.48	29.1	3.3	2.58	32.6	3.6	2.65	39.0	4.1	2.78	43.9	4.4	2.89
	80	12.0	1.4	2.56	15.6	1.8	2.63	22.3	2.4	2.76	27.4	2.8	2.86	30.9	3.1	2.93	37.3	3.6	3.07	42.2	3.8	3.17
1400	60	15.6	2.2	2.02	19.3	2.7	2.09	26.0	3.4	2.22	31.0	3.9	2.32	34.5	4.2	2.39	41.0	4.8	2.52	45.9	5.1	2.63
	70	13.9	1.8	2.30	17.6	2.2	2.37	24.3	2.9	2.50	29.3	3.4	2.60	32.8	3.7	2.67	39.3	4.2	2.81	44.2	4.5	2.91
	80	12.2	1.4	2.58	15.9	1.8	2.65	22.6	2.5	2.78	27.6	2.9	2.89	31.1	3.2	2.96	37.6	3.6	3.09	42.5	3.9	3.19

EXPANDED RATINGS Continued

HEATING

Q6SE-X42K

SCFM	IDT	OUTDOOR TEMPERATURE (Deg. F)																				
		10			17			30			40			47			60			70		
		MBH	COP	kW	MBH	COP	kW	MBH	COP	kW	MBH	COP	kW	MBH	COP	kW	MBH	COP	kW	MBH	COP	kW
1250	60	20.2	2.4	2.37	25.0	2.8	2.52	33.6	3.4	2.81	39.9	3.7	3.03	44.1	3.9	3.18	51.6	4.2	3.47	57.1	4.3	3.69
	70	17.7	1.9	2.69	22.6	2.3	2.84	31.1	2.9	3.13	37.4	3.3	3.35	41.6	3.5	3.50	49.1	3.8	3.79	54.6	3.9	4.01
	80	15.3	1.4	3.00	20.1	1.8	3.16	28.7	2.5	3.44	34.9	2.9	3.66	39.2	3.1	3.82	46.6	3.4	4.10	52.1	3.5	4.32
1400	60	20.4	2.4	2.40	25.2	2.8	2.55	33.8	3.4	2.84	40.1	3.8	3.06	44.3	4.0	3.21	51.8	4.2	3.50	57.2	4.3	3.72
	70	17.9	1.9	2.71	22.7	2.3	2.87	31.3	3.0	3.15	37.6	3.3	3.37	41.8	3.6	3.53	49.3	3.8	3.81	54.8	3.9	4.04
	80	15.4	1.4	3.03	20.3	1.9	3.19	28.8	2.5	3.47	35.1	2.9	3.69	39.3	3.1	3.85	46.8	3.4	4.13	52.3	3.5	4.35
1550	60	20.6	2.5	2.42	25.4	2.9	2.58	34.0	3.5	2.86	40.3	3.8	3.08	44.5	4.0	3.24	52.0	4.3	3.53	57.4	4.4	3.75
	70	18.1	2.0	2.74	22.9	2.4	2.90	31.5	3.0	3.18	37.8	3.4	3.40	42.0	3.6	3.56	49.5	3.9	3.84	54.9	4.0	4.06
	80	15.6	1.5	3.06	20.4	1.9	3.21	29.0	2.6	3.50	35.3	3.0	3.72	39.5	3.2	3.88	47.0	3.4	4.16	52.5	3.6	4.38

Q6SE-X48K

SCFM	IDT	OUTDOOR TEMPERATURE (Deg. F)																				
		10			17			30			40			47			60			70		
		MBH	COP	kW	MBH	COP	kW	MBH	COP	kW	MBH	COP	kW	MBH	COP	kW	MBH	COP	kW	MBH	COP	kW
1350	60	22.2	2.3	2.65	26.5	2.6	2.82	35.3	3.3	3.13	42.7	3.7	3.37	48.1	4.0	3.54	59.0	4.5	3.86	67.9	4.9	4.10
	70	20.3	1.9	3.04	24.6	2.2	3.21	33.4	2.8	3.53	40.8	3.2	3.77	46.2	3.4	3.94	57.1	3.9	4.26	66.0	4.2	4.50
	80	18.4	1.5	3.44	22.7	1.8	3.61	31.5	2.3	3.93	38.9	2.7	4.17	44.3	2.9	4.34	55.2	3.3	4.66	64.1	3.5	4.90
1500	60	22.6	2.4	2.65	27.0	2.7	2.82	35.8	3.4	3.13	43.2	3.8	3.38	48.6	4.1	3.55	59.5	4.6	3.86	68.4	5.0	4.11
	70	20.7	2.0	3.05	25.1	2.3	3.22	33.9	2.9	3.53	41.3	3.3	3.77	46.7	3.5	3.94	57.5	4.0	4.26	66.5	4.3	4.50
	80	18.8	1.6	3.44	23.2	1.9	3.61	32.0	2.4	3.93	39.4	2.7	4.17	44.8	3.0	4.34	55.6	3.3	4.66	64.6	3.6	4.90
1650	60	23.1	2.5	2.65	27.5	2.8	2.82	36.3	3.4	3.14	43.6	3.9	3.38	49.1	4.2	3.55	59.9	4.7	3.86	68.9	5.0	4.11
	70	21.2	2.1	3.05	25.6	2.4	3.22	34.4	3.0	3.53	41.7	3.4	3.78	47.2	3.6	3.95	58.0	4.1	4.26	67.0	4.4	4.50
	80	19.3	1.7	3.44	23.7	2.0	3.61	32.5	2.5	3.93	39.8	2.8	4.17	45.3	3.1	4.34	56.1	3.4	4.66	65.0	3.7	4.90

Q6SE-X60K

SCFM	IDT	OUTDOOR TEMPERATURE (Deg. F)																				
		10			17			30			40			47			60			70		
		MBH	COP	kW	MBH	COP	kW	MBH	COP	kW	MBH	COP	kW	MBH	COP	kW	MBH	COP	kW	MBH	COP	kW
1500	60	30.7	2.3	3.56	35.8	2.6	3.71	45.8	3.2	3.98	53.8	3.6	4.18	59.7	3.9	4.33	70.9	4.3	4.60	80.0	4.7	4.80
	70	28.8	2.0	4.07	33.9	2.3	4.21	43.9	2.8	4.48	51.9	3.2	4.69	57.8	3.4	4.83	69.0	3.9	5.10	78.1	4.2	5.31
	80	26.9	1.6	4.58	32.0	1.9	4.72	42.0	2.4	4.99	50.0	2.7	5.20	55.9	3.0	5.34	67.1	3.4	5.61	76.2	3.7	5.82
1650	60	31.0	2.4	3.59	36.1	2.7	3.73	46.1	3.2	4.00	54.1	3.6	4.20	60.0	3.9	4.35	71.2	4.4	4.62	80.3	4.7	4.82
	70	29.1	2.0	4.09	34.2	2.3	4.24	44.2	2.8	4.51	52.2	3.2	4.71	58.1	3.5	4.86	69.3	3.9	5.13	78.4	4.2	5.33
	80	27.2	1.7	4.60	32.3	1.9	4.74	42.3	2.4	5.01	50.3	2.8	5.22	56.2	3.0	5.36	67.4	3.4	5.63	76.5	3.7	5.84
1800	60	31.3	2.4	3.61	36.5	2.7	3.75	46.4	3.3	4.02	54.5	3.7	4.23	60.3	3.9	4.37	71.5	4.4	4.64	80.6	4.8	4.85
	70	29.4	2.1	4.11	34.5	2.4	4.26	44.5	2.9	4.53	52.5	3.3	4.73	58.4	3.5	4.88	69.6	3.9	5.15	78.7	4.3	5.35
	80	27.5	1.7	4.62	32.6	2.0	4.77	42.6	2.5	5.04	50.6	2.8	5.24	56.5	3.1	5.39	67.7	3.5	5.66	76.8	3.8	5.86



GENERAL TERMS OF LIMITED WARRANTY

Nortek Global HVAC, LLC will furnish a replacement for any part of this product which fails in normal use and service within the terms and conditions of the warranty.

For complete details of the Limited Warranty, including applicable terms and conditions, see your local installer or contact the Nortek Global HVAC, LLC warranty department for a copy.

Before purchasing this appliance, read important energy cost and efficiency information available from your retailer. Specifications and illustrations subject to change without notice and without incurring obligations. Printed in U.S.A (02/2016)